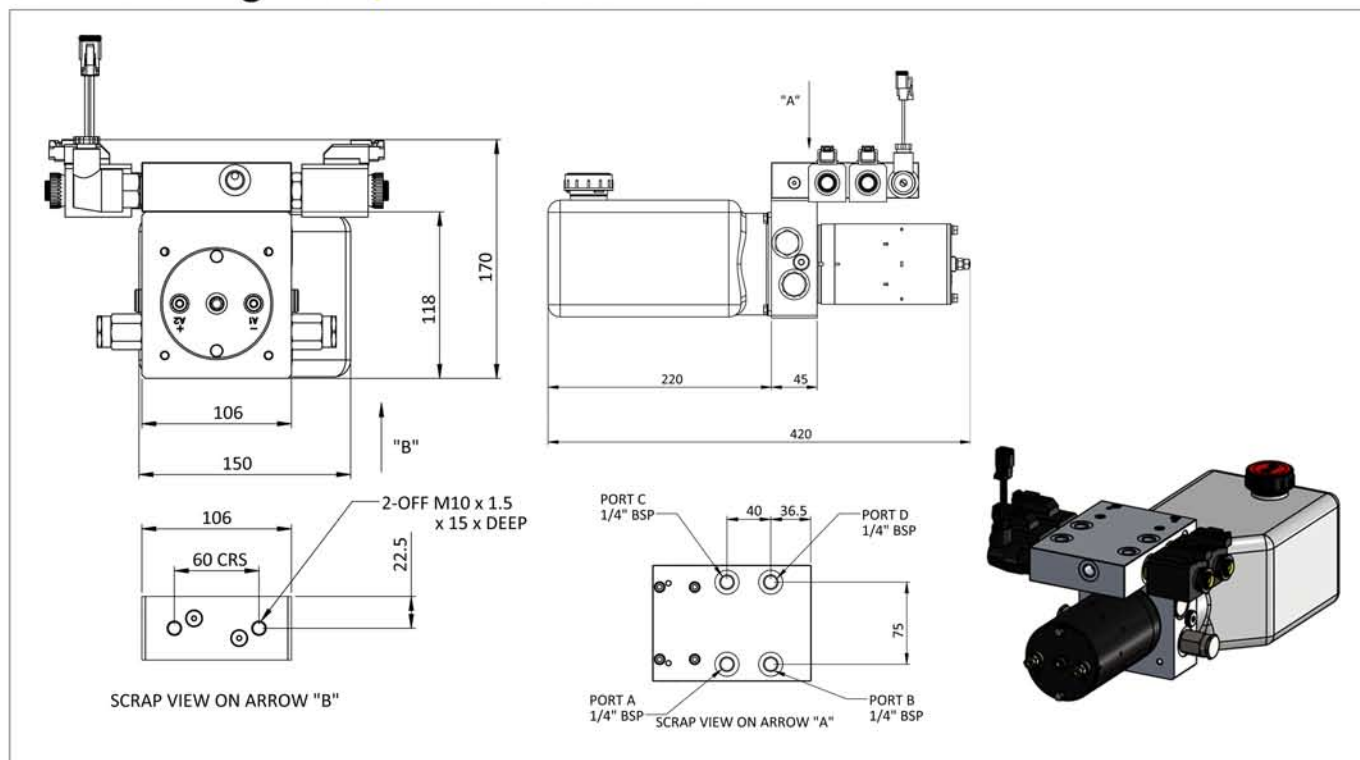
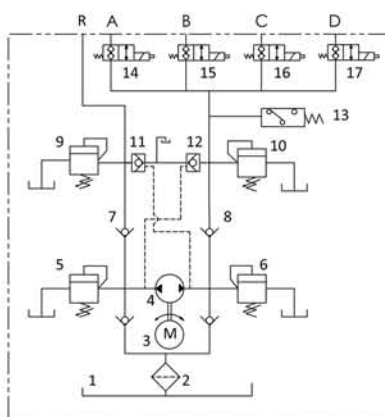


POWER PACKS

Self Levelling Pack / YBZS-E0.63Z1T52B



Please note! The electric coils are supplied with Deutsch DT042P connectors which are IP67 rated. The mating plug is a DTO0625.



Use E TL18-1 (12vDC)
E TL18-2 (24vDC)
Reverse starters with this product.

Part No	Motor	Power	Pump	Pressure Switch	Relief Valve	Oil Tank
YBZS-E0.63Z1T52B	12V or 24V	0.8Kw	0.63cc (Reversible)	0 to 200 bar	120 bar	3l Plastic

The self levelling power pack forms part of our automated self leveling system which is used predominantly in the motor home & caravan industries. The power pack consists of a reversible electric motor and a manifold with integrated directional solenoid valves & pressure switch. This product has been designed to independently control 4 hydraulic stabiliser cylinders during the deployment and then retract all 4 cylinders together when closing. The electric motor has a hex drive in the end cap to allow the system to be manually overridden in case of power failure.

Please Note! All power packs should be wired by a qualified electrician. Please refer to wiring diagrams at the back of the power packs section.