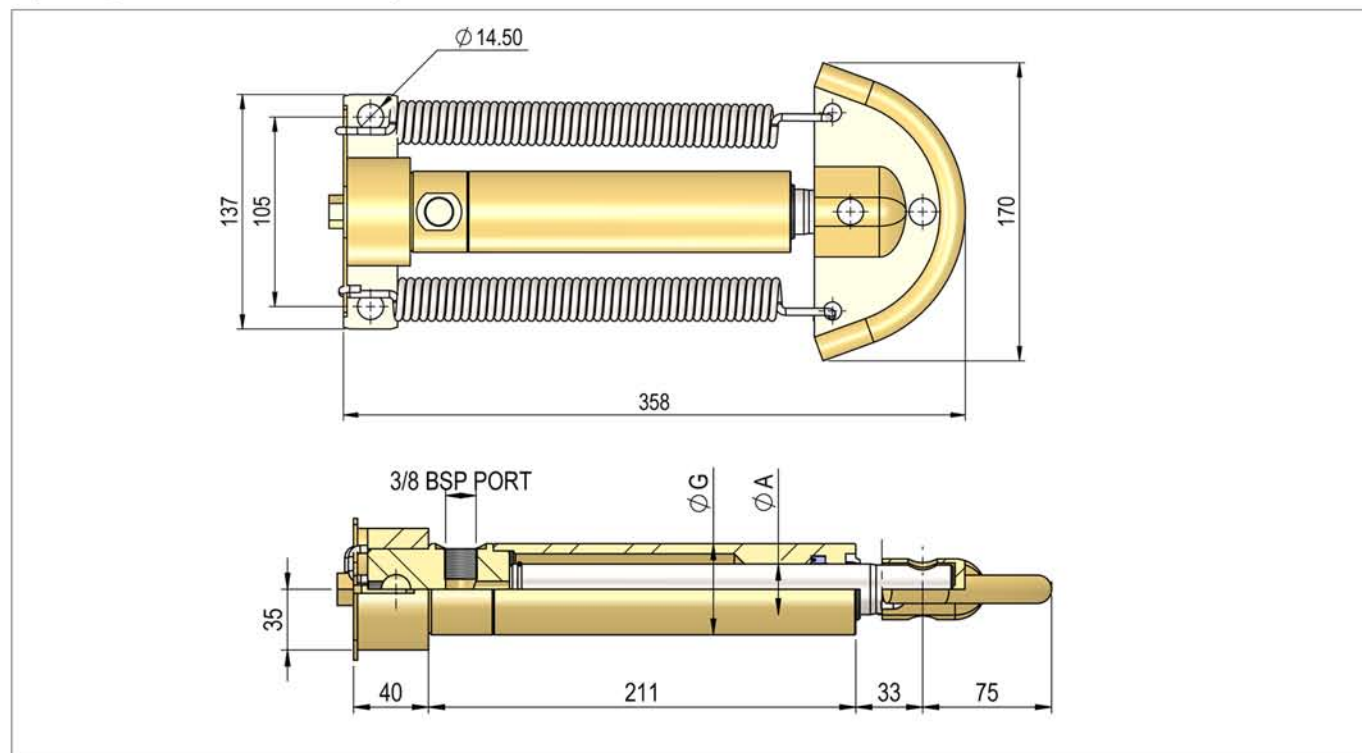


# STANDARD CYLINDERS

## SINGLE ACTING

### Spring Return Brake Cylinder



Part No	VFP 25	VFP 30	VFP 35
ØA	25	30	35
ØG	45	45	50
Stroke	110	110	110
Weight (Kg)	4.47	4.93	5.5
Vol (ltr)	0.08	0.10	0.13

#### Technical Data

- Dismountable single acting cylinder
- Max working pressure: 200bar
- Max speed: 0.5m/s
- Temperature: -30°C to 90°C
- Hydraulic mineral oil

#### Materials

- Steel rod 35mf6pb machined, ground, nitrided and polished Ra<0.2µ
- Tube in naf49311

#### Seals

- Rod: Compact polyurethane lip seal + polyurethane wiper seal

#### Identification

- Tube reference + CH + week/year of manufacture

#### Testing

- Manual

#### Protection

- Cylinder: Yellow zinc plated
- Rod: Nitrided
- Accessories: Yellow zinc plated

#### Recommendations

- Check oil cleanliness
- Do not weld on cylinder or tube