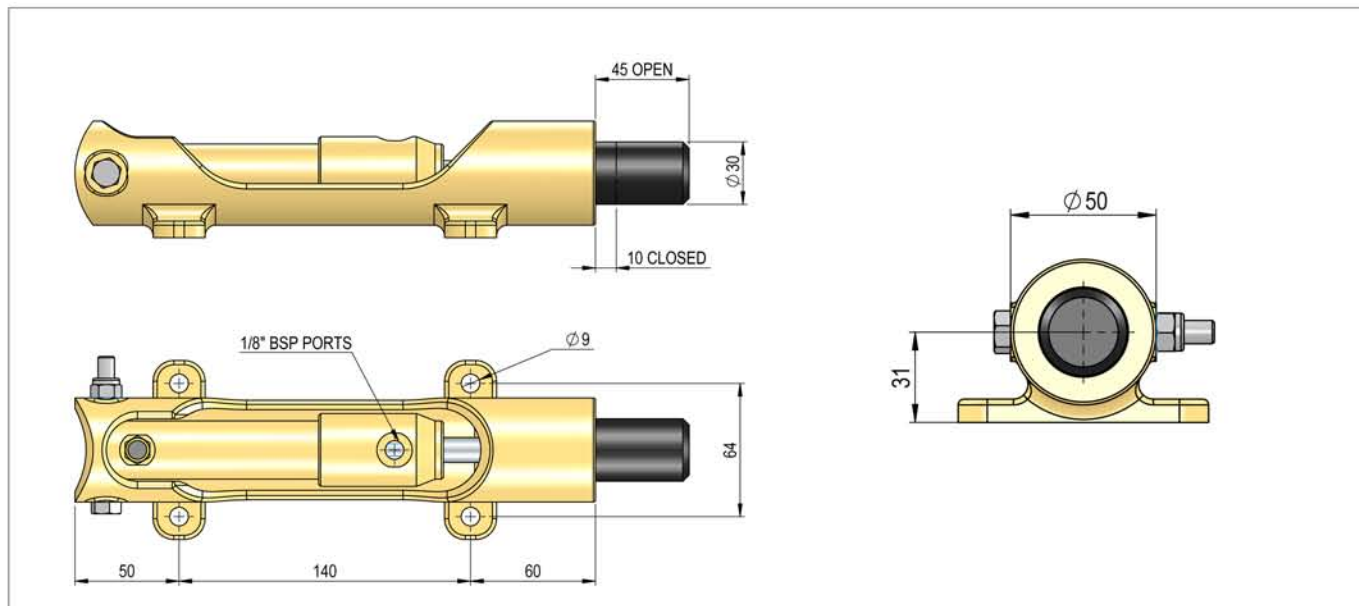


STANDARD CYLINDERS

DOUBLE ACTING

STS Locking-Kit



Features

- Cast steel housing zinc plated
- Single acting spring loaded hydraulic cylinder
- Hardened 30mm locking pin

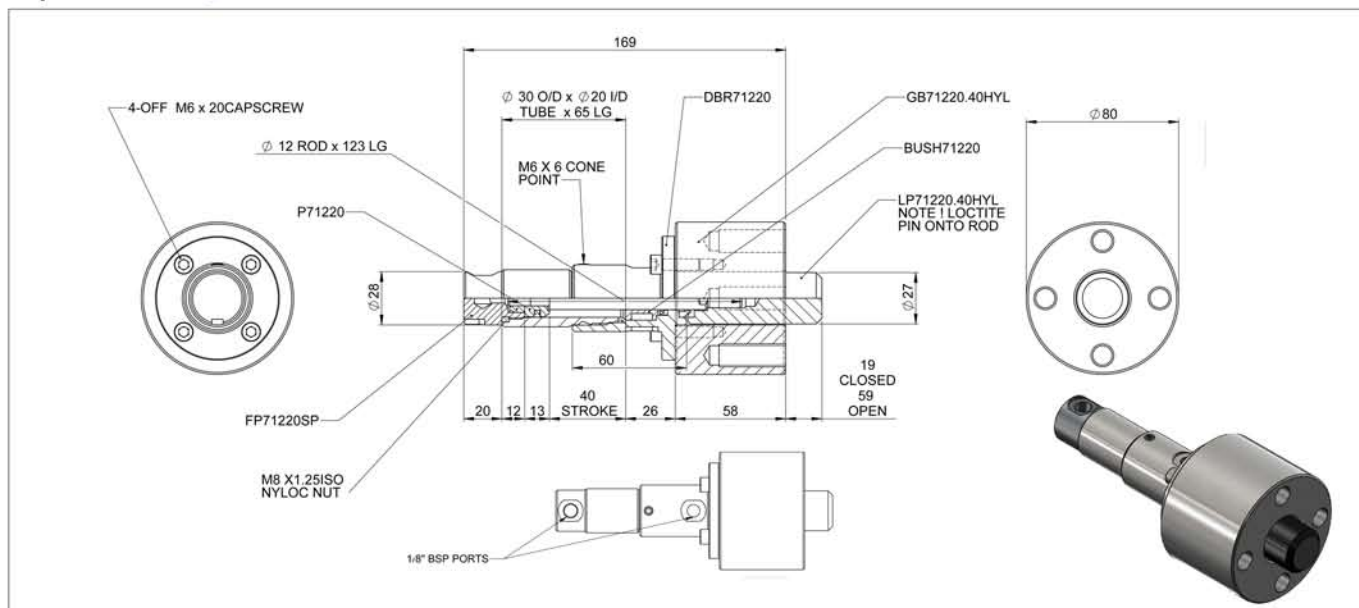
Technical Specification

The lock is designed to be a fail safe and releases only when it receives a pilot signal from the hydraulic circuit. The circuit design must allow the pilot signal to open to the tank line to allow the locking pin to deploy. Max pressure 200 bar.

Applications

The locking system is ideal for many mobile applications where it is essential that the load is held in place mechanically.

Hydra Lock / 71220.40HYL



Technical Specifications

Hydra Lock is a self contained double acting hydraulic lock. The unit is mounted via the 4x M12x1.75 female holes and requires pressure to both deploy and unlock the system. If an auto lock system is required the use R930001421 sequence valves.