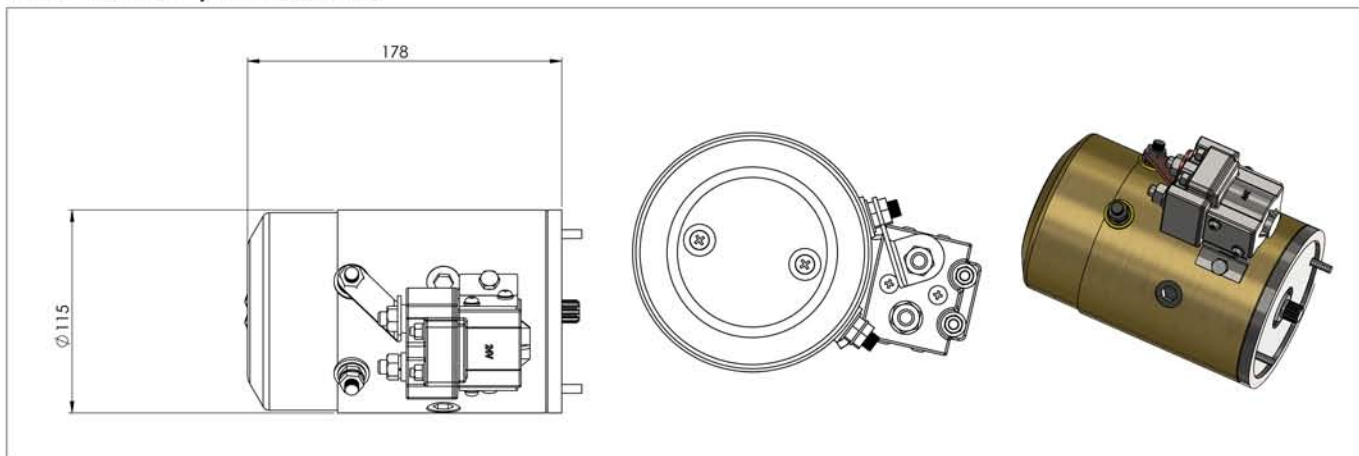


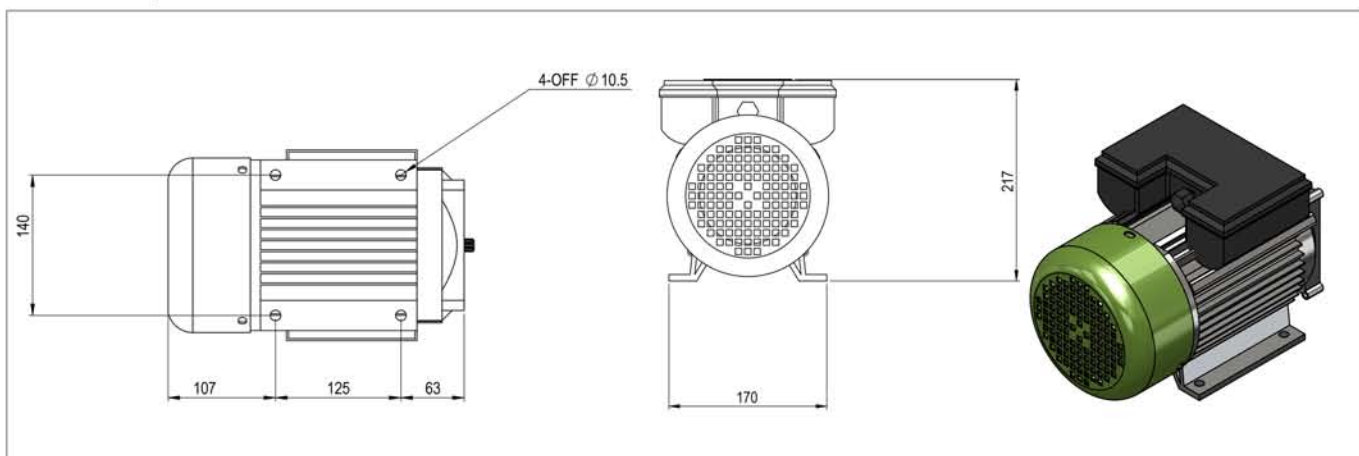
POWER PACK MOTOR OPTIONS

12V & 24V / S3 Rated



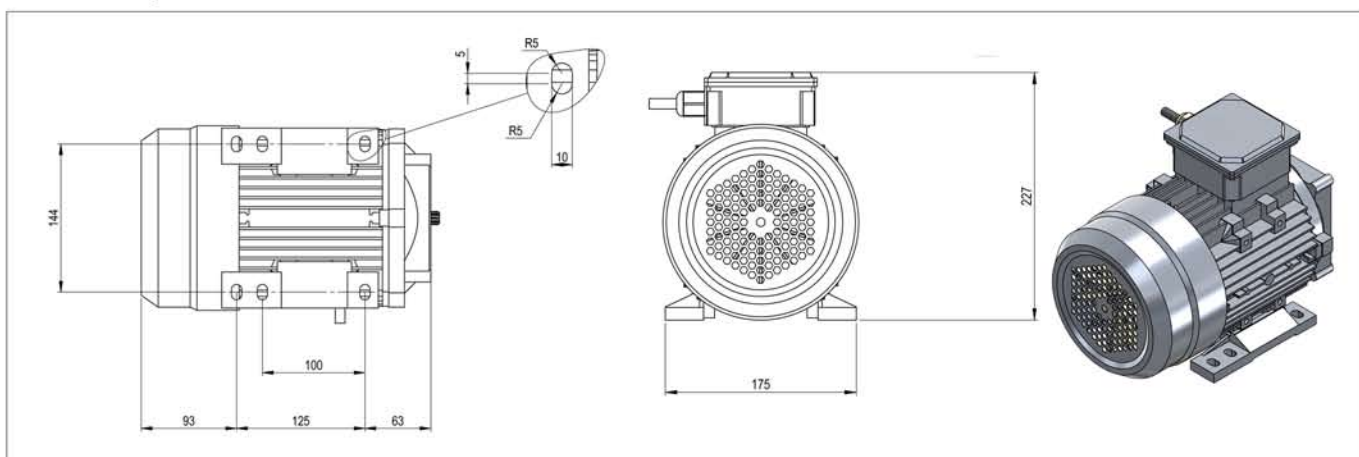
Part No	Voltage	Kw	Starter Part No
DM22-1WWU-3BA2	12vDC	1.5Kw	9050014
DM22-2AWU-3BA2	24vDC	2.0Kw	9050024

1 Phase / S1 Rated



Part No	Voltage	Kw	Rpm
AM21-18GGB-1BARR	240	1.5Kw	1450

3 Phase / S1 Rated



Part No	Voltage	Kw	Rpm	Rating
AM63-6HLB-3DD1	415	2.2Kw	1450	S1 Rated
AM13-4ELC-2BA1L	415	0.75kW	1450	S2 Rated