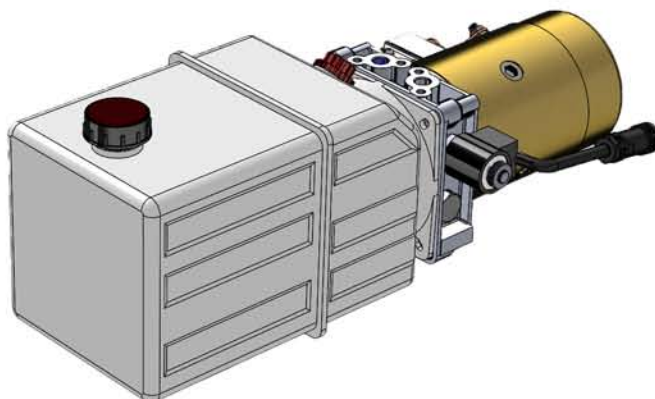


MULTI FUNCTION CENTRE BLOCK MODULAR DESIGN

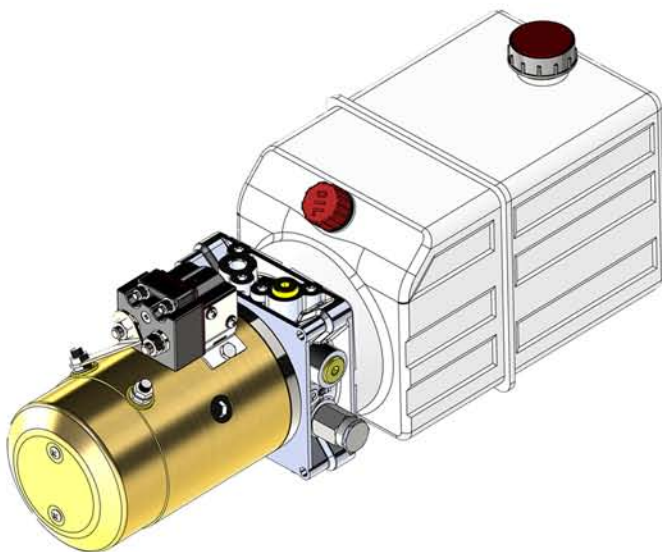
1

S/A Tipper Power Pack.
Supplied as standard with
pre-wired hand control.



2

P-T Power Pack.
Can be supplied with wiring
loom to assist installation.



3

Multi function Power Pack.

By adding item A we can then add
B options 2-4 to allow various
functions to be added.
Cetop 3 directional valves and
control modules can be assembled
quickly and easily.

