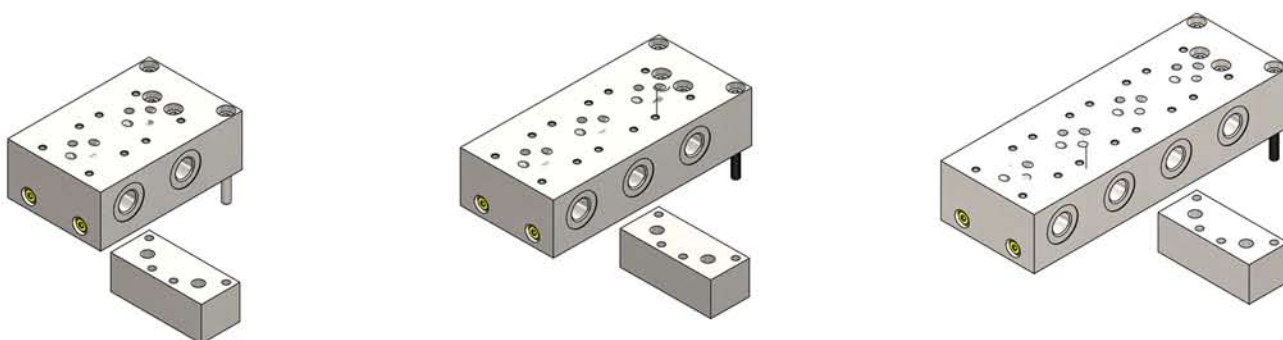
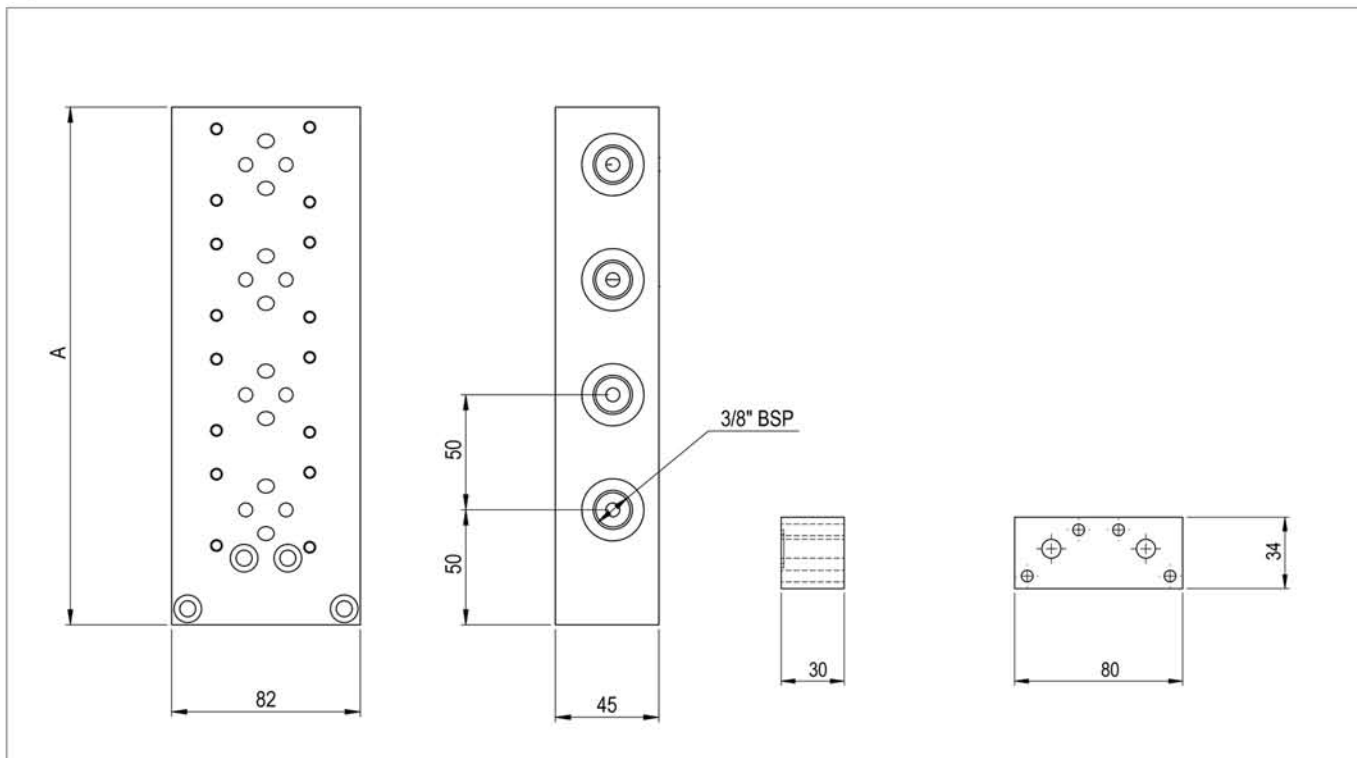


POWER PACKS

2,3 & 4 Station Manifolds



Part No	Stations	A
FKZJ-N2FK-G6-G3/8	2	125 mm
FKZJ-N2FK-G40-G3/8	3	175 mm
FKZJ-N2FK-G55-G3/8	4	225 mm

Part No	Description
YBZ6-F2.14H30A/BC0BN1-02	Spacer Block

The range to multiposition Cetop 3 manifolds allow the simple conversion of the new YBZ6 type power packs creating a truly modular system.