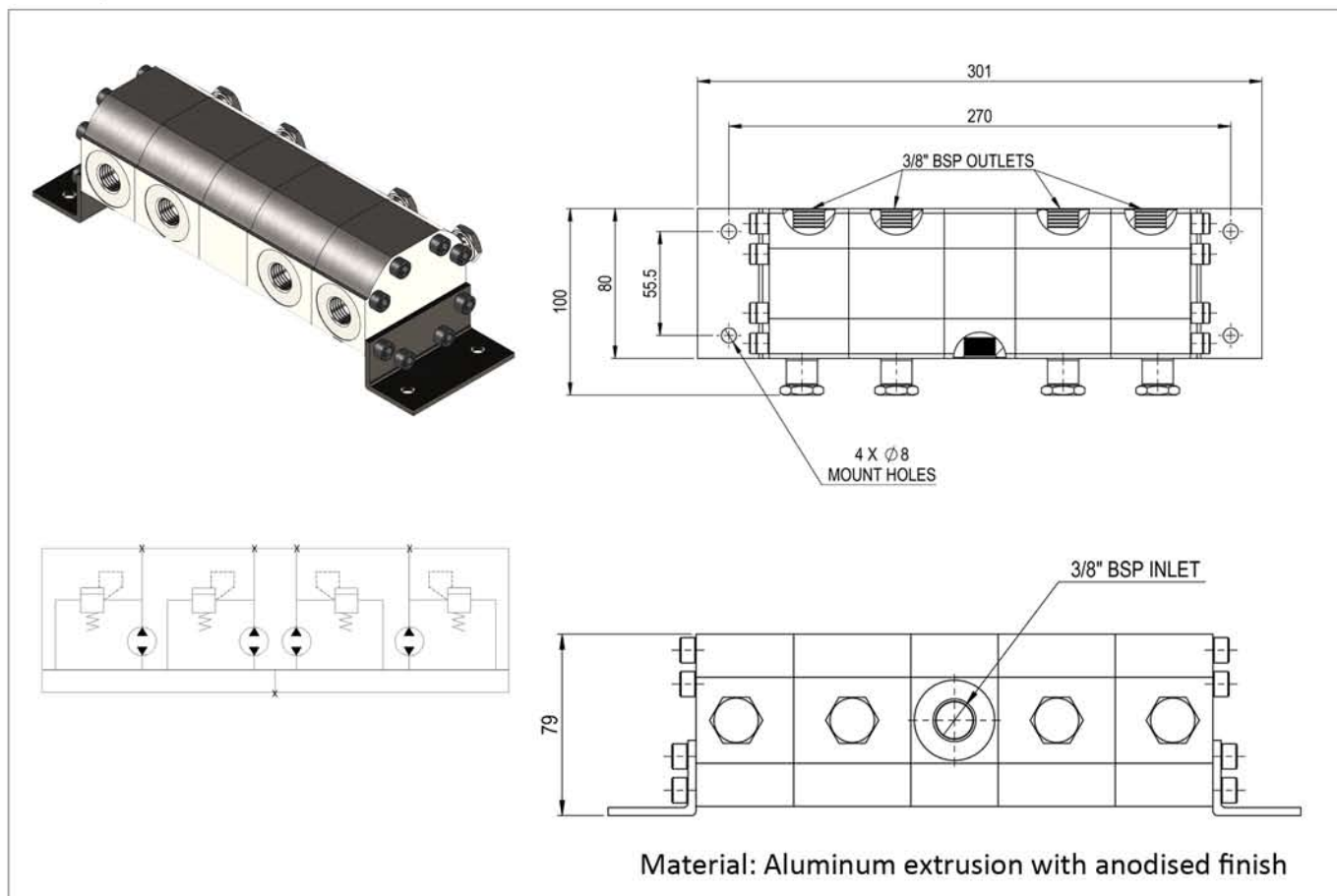


## FLOW DIVIDERS

### 4 Way Gear Flow Divider



Part No	Displacment mL/r	Min Inlet Flow L/min	Standard Inlet Flow L/Min	Max Inlet Flow L/Min	Max Outlet Pressure Mpa	Inlet Ports BSP	Outlet Ports BSP
FMA-4-2.1	2.17	6.51	13.02	26.04	21	1/2	1/2
FMA-4-3	3.18	9.54	19.08	38.16	21	1/2	1/2
FMA-4-4.2	4.34	13.02	26.04	52.08	21	5/8	5/8
FMA-4-4.2	4.34	13.02	26.04	52.08	21	5/8	5/8
FMA-4-5	4.89	14.67	29.34	58.68	21	5/8	5/8
FMA-4-6.3	6.37	19.11	38.22	76.44	21	5/8	5/8
FMA-4-8.8	8.82	26.46	52.92	105.84	21	5/8	5/8

It is very important that the flow divider is sized by the system flow rate to maximise its accuracy. Standard inlet flow is optimum.