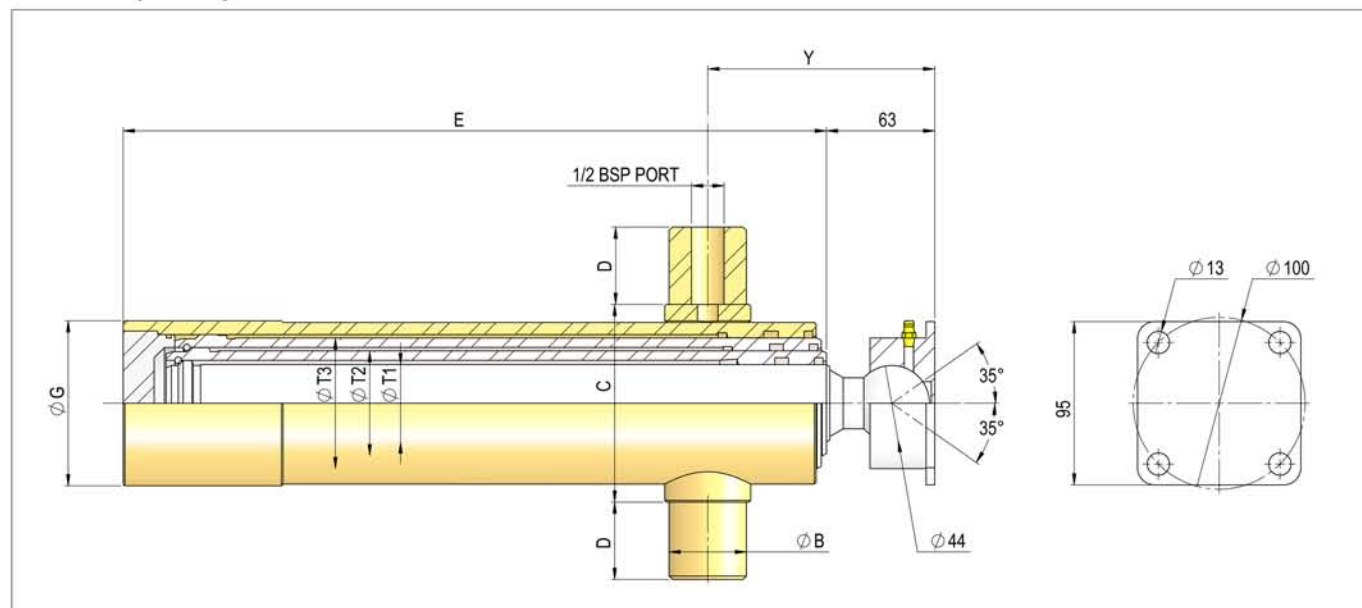


TELESCOPIC CYLINDERS

Telescopic Cylinder With Ball Joint



Part No	ØT1	ØT2	ØT3	ØT4	ØT5	Stroke	B	C	D	E	G	Y	Force Max	Vol (ltr)	Weight (Kg)	Cradle No
3305	45	61	76			570	45	115	45	293	95	143	8	2.5	17	1
3395	45	61	76			730	40	128	40	348	95	180	8	3.0	19	1
3306	45	61	76			912	45	115	45	409	95	143	8	3.6	22	1
3397	45	61	76			1030	40	128	40	449	95	180	8	4.0	23	1
3405	45	61	76	91		726	40	128	40	293	108	146	8	3.1	19	1
3495	45	61	76	91		945	40	128	40	348	108	186	8	5.0	22	1
3445	45	61	76	91		1190	45	128	45	409	108	146	8	6.5	26	1
3585	45	61	76	91	107	875	45	148	45	288	128	186	8	5.2	26.5	2
3595	45	61	76	91	107	1150	45	148	45	343	128	186	8	7.7	30	2
3598	45	61	76	91	107	1475	45	148	45	424	128	139	8	9.9	34.5	2

*Force Max = Max force on ball joint

Part No	A	B	C	D	E	F	Force Max	Weight (Kg)
BER.0	154	40	102	25	172	20	3	2.6
BER.00	154	25	102	25	172	20	3	2.6
BER.1	225	45	130	40	260	40	8	6.7
BER.2	230	45	150	40	270	40	10	7.2
BER.3	270	45	173	45	310	40	15	13.2
BER.4	310	50	200	50	360	50	20	26.7
BER.5	392	50	243	50	440	50	25	45

*Force Max = Max force on ball joint