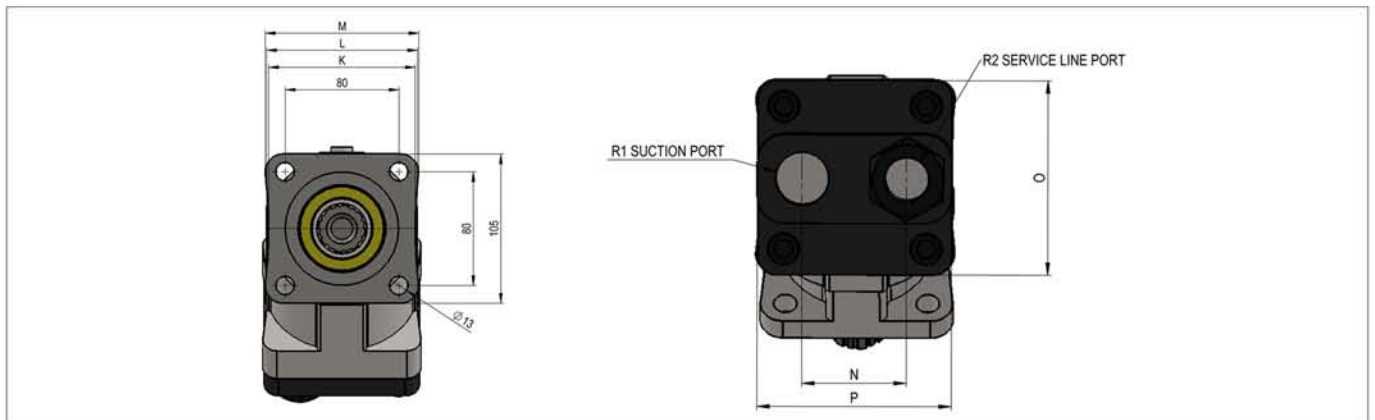
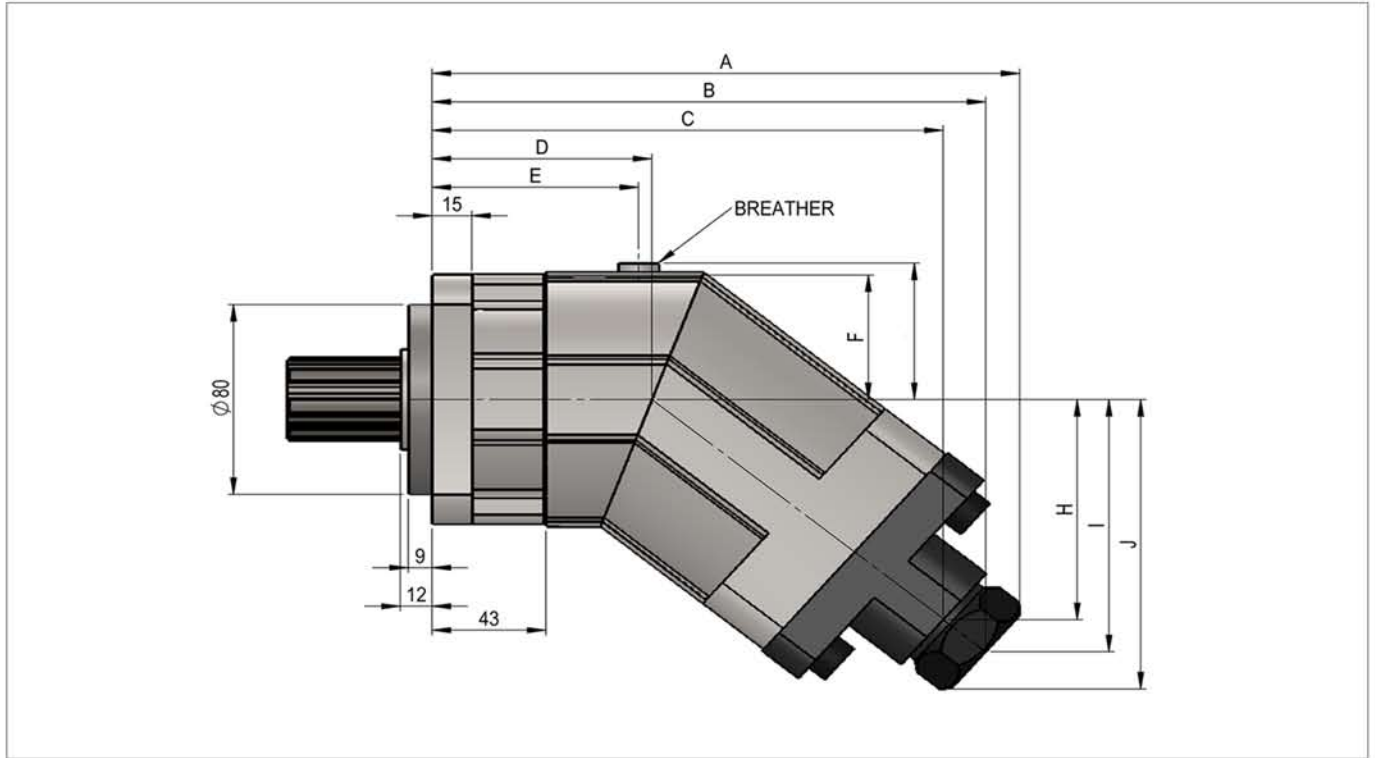


# GEAR PUMPS AND PISTON PUMPS

## Bosch Rexroth Piston Pumps KFA



Part No	A	B	C	D	E	F	H	I	J	K	L	M	N	O	P	R1	R2
KFA 23,32	185	173	159	69	61	53	76	88	103	98		108	52	88	88	3/4	1/2
KFA 45	223	210	194	88	78	58	89	102	119	98	103	108	58.8	108	108	1	3/4
KFA 63	232	219	203	88	78	58	96	110	126	98	103	108	64	108	108	1	3/4
KFA 80	261	245	227	102	92	67.5	105	120	140	96	107	114	69	117	117	1 1/4	1
KFA 107	272	256	238	102	92	73.5	114	129	149	96	107	120	77	129	129	1 1/4	1

Size	23	32	45	63	80	107
Displacement	22.9	32	45.6	63	80.4	106.7
Max Speed (rpm)	2920	2900	2560	2300	2130	1860
Max Flow ( L/min)	65	90	113	141	166	193
Max Drive Power *(Kw)	32.5	45	56.5	70.5	83	96.5
Torque at 300 bar (Nm)	109	153	218	301	384	509
Torque at 350 bar (Nm)	128	178	254	351	448	594
Rotary Stiffness (Nm/rad)	304	304	435	250	771	806
Weight (Kg)	5.8	5.8	8	9	11.6	14.5