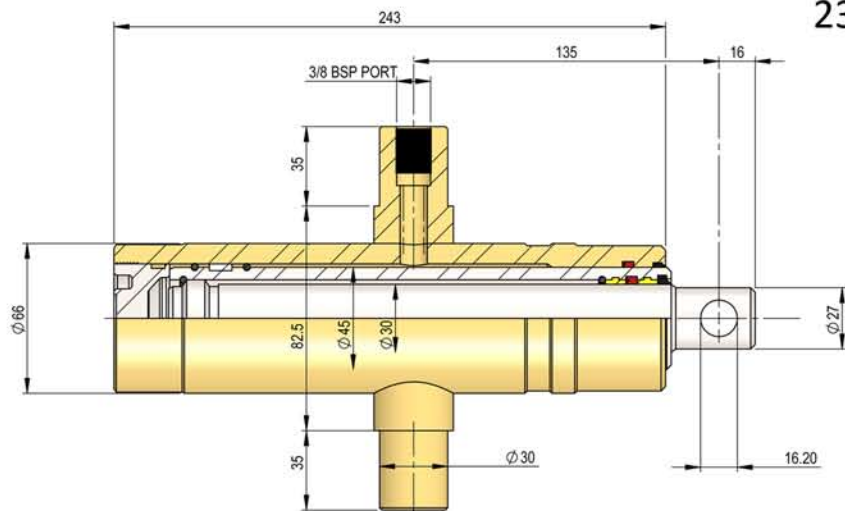


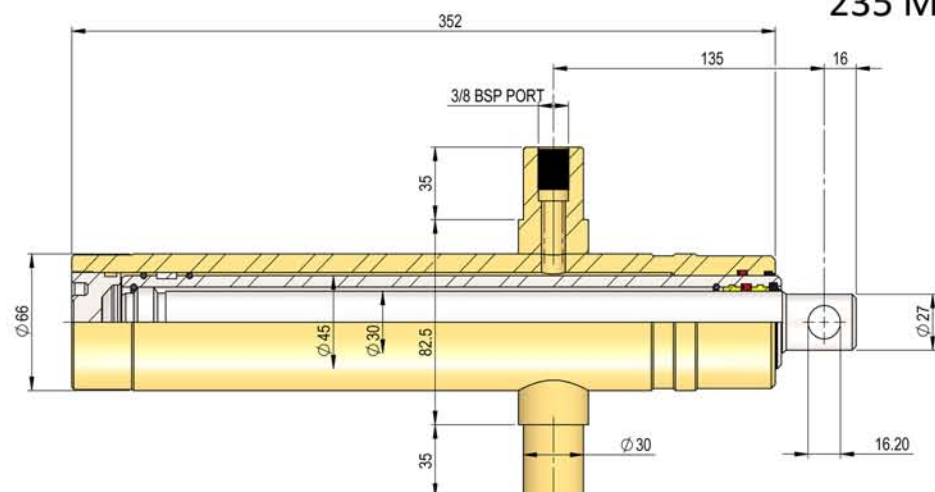
TELESCOPIC CYLINDERS

Mini Telescopic

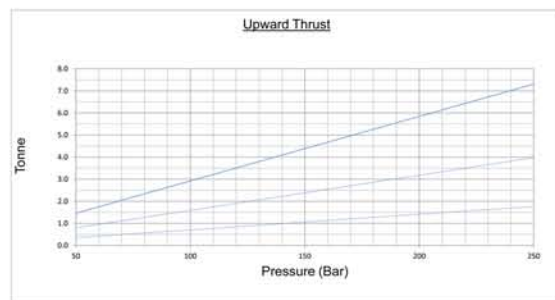
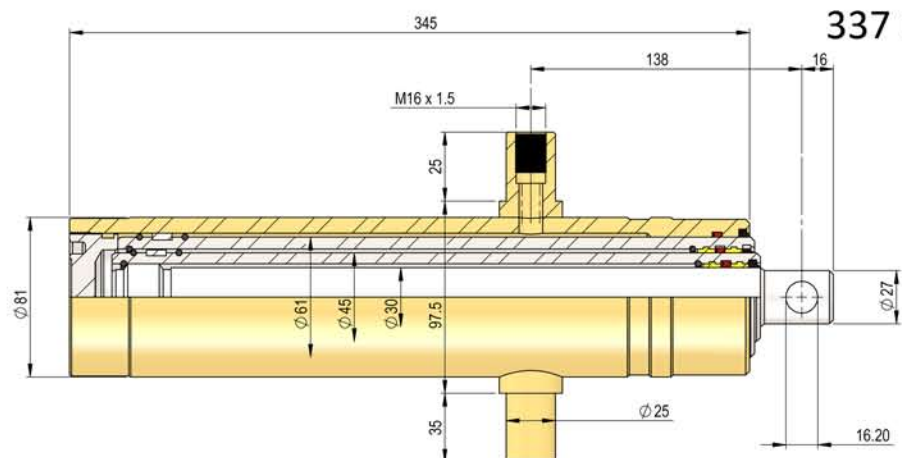
233 Model



235 Model



337 Model



Part No	Ø30	Ø45	Ø60	Stroke	Thrust	Weight (Kg)
233	1.06Kg	2.38Kg		300	150bar	6.5
235	1.06Kg	2.38Kg		510	150bar	9.0
337	1.06Kg	2.38Kg	4.38Kg	754	150bar	12