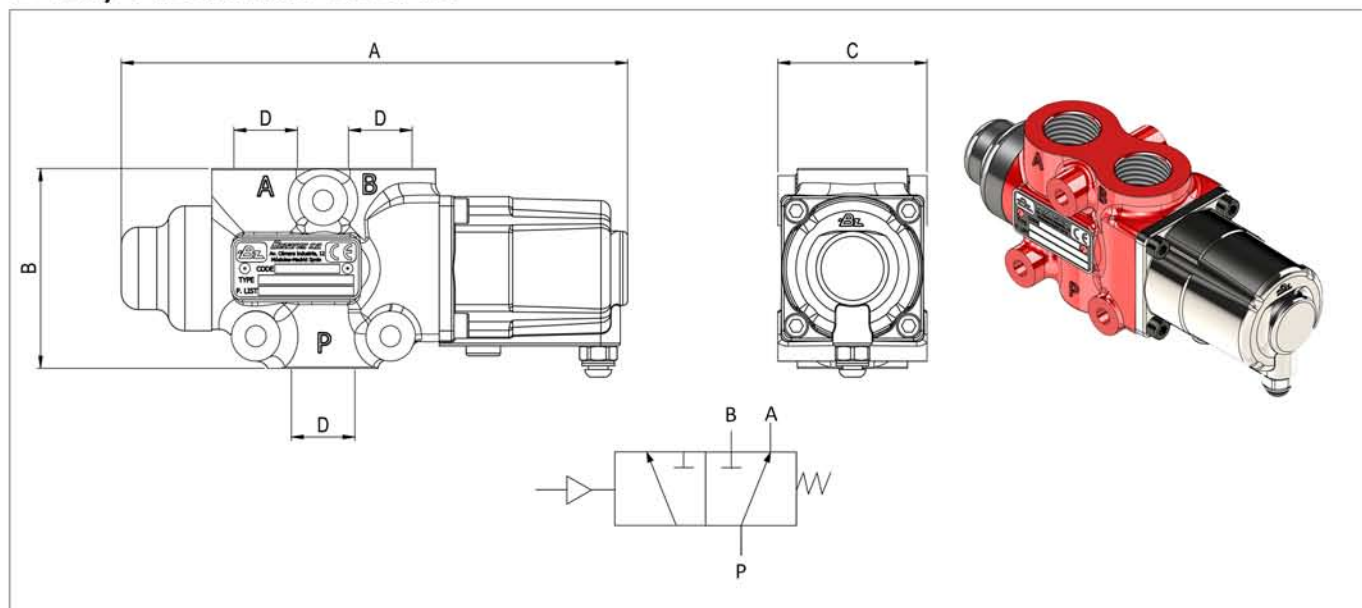


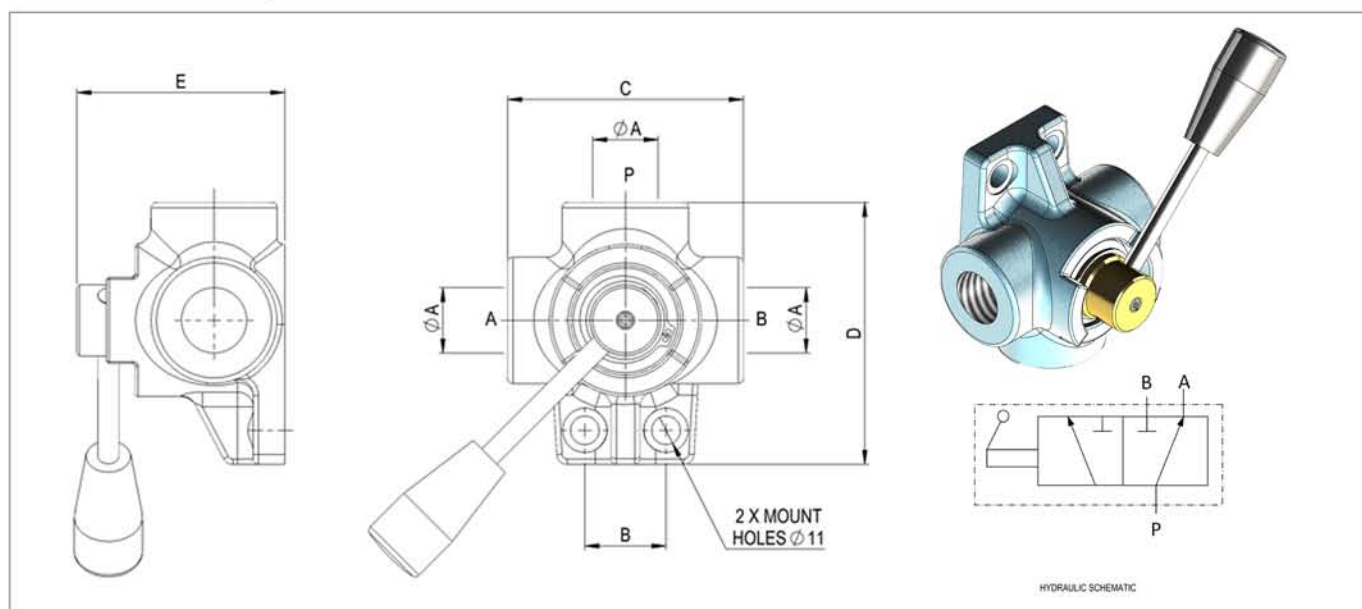
CONTROL VALVES

2 Way Pneumatic Diverter



Part No	Max Pressure	Max Flow	Air Pressure	A	B	C	D
901011	350 bar	200 L/min	7-10 bar	217	110	72	1"
901111	350 bar	150 L/min	7-10 bar	196	80	64	3/4"

3 Ported 2 Way Diverter Valve



Part No	Max Flow	Max Pressure	A	B	C	D	E
RA3-3-2-G3	60 L/min	315 bar	3/8"	24	70	76	62
RA5/3/2/G4	90 L/min	315 bar	1/2"	32	86	95	68
900711	120 L/min	350 bar	3/4"	31	90	99	81
900811	180 L/min	350 bar	1"	31	100	120	95