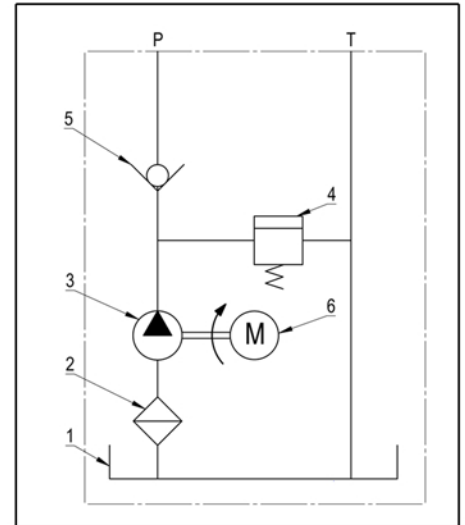
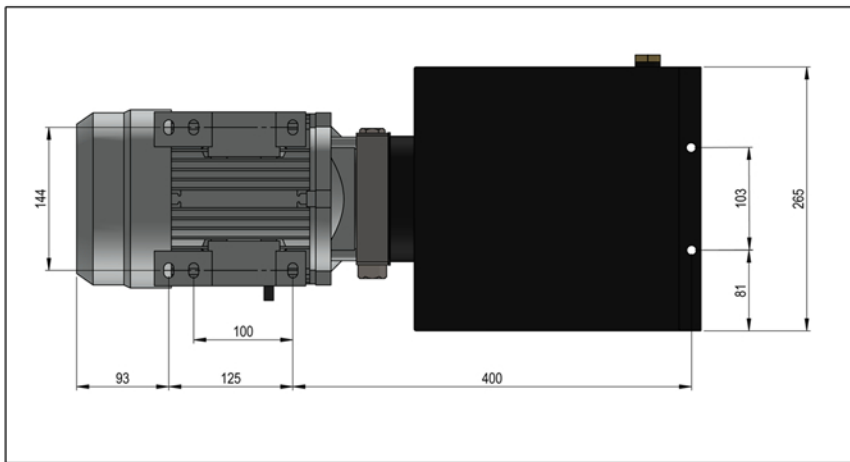
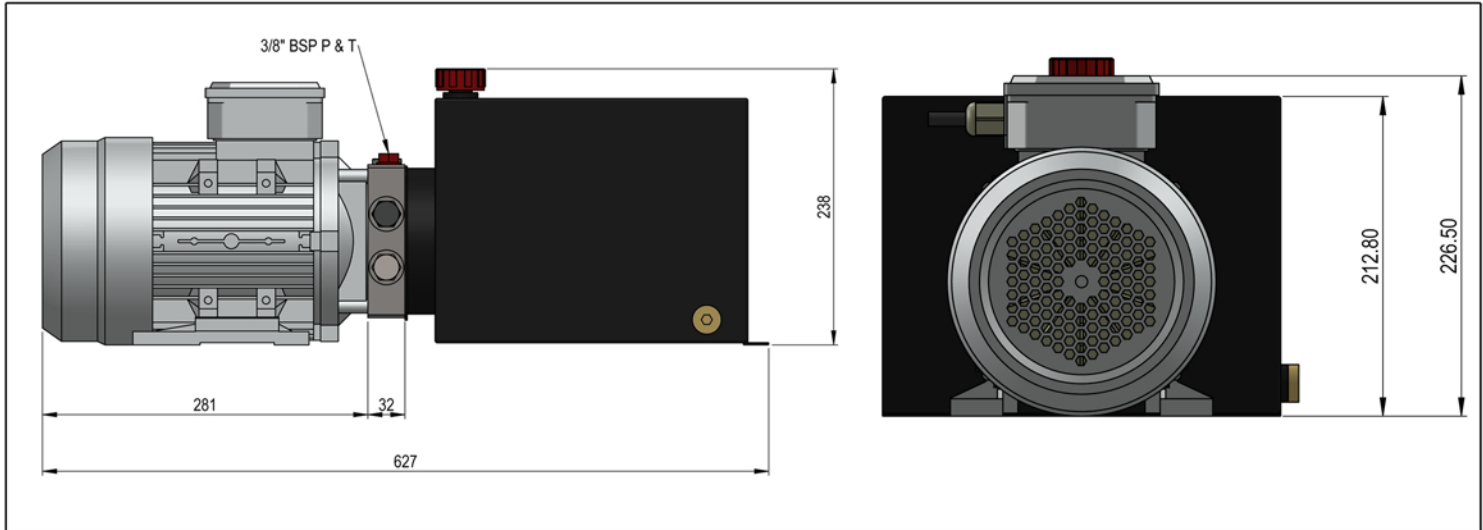




## 3 Phase Power Pack

## YBZ-E5G6H0/LBCOT



No	Description	Technical Data
1	Steel Tank	15L
2	Suction Filter	
3	Gear Pump	5.0cc/r
4	Relief Valve	150 Bar
5	Check Valve	
6	AC Motor	3 Phase 415V 2.2KW, 50Hz ip55 1450 RPM