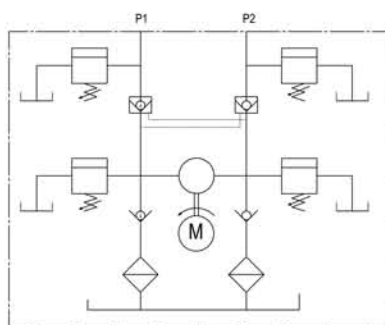
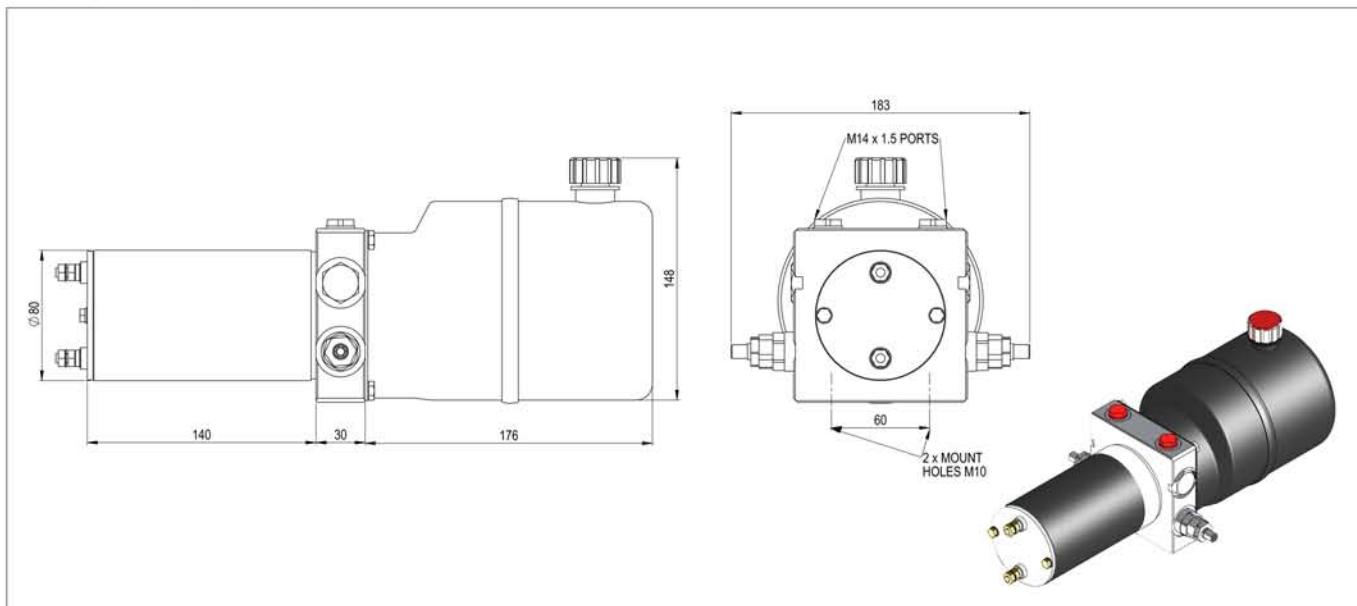


## POWER PACKS

### Reversible Power Pack

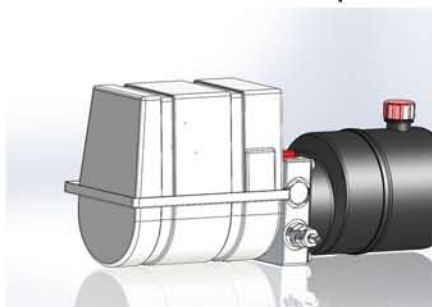


Part No	Voltage	Kw	Pump (cc)	Tank (ltr)	Nominal RPM	Max Pressure
YBZS-E0.5S1T101/1	12V	0.8	0.5	1.5	3500	175
YBZS-E0.5S2T101/1	24V	0.8	0.5	1.5	3500	175

Equipped with a reversible motor and gear pump, DPO check valves and relief valves this unit can drive a double acting cylinder without a directional valve, very compact and light weight.

We can supply with the reverse starter unit Part No: E TLD18-1. Available in 12V & 24V.

We also have a 2 piece plastic cover available to protect the motor and starter Part No: YBZ-DJZK-02



**Please Note! All power packs should be wired by a qualified electrician. Please refer to wiring diagrams at the back of the power packs section.**