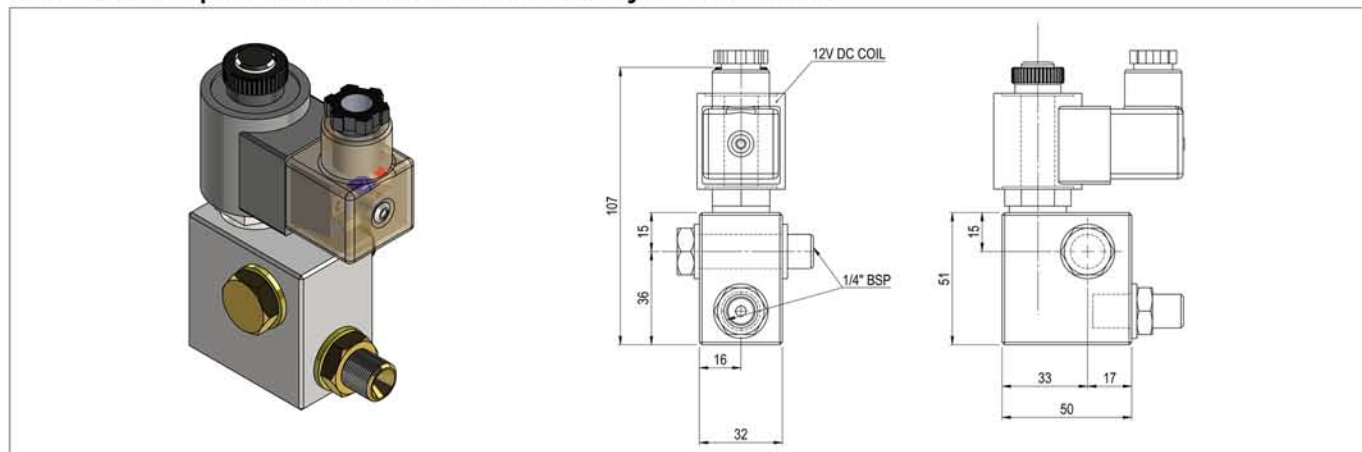


# SAFETY VALVES & ACCESSORIES

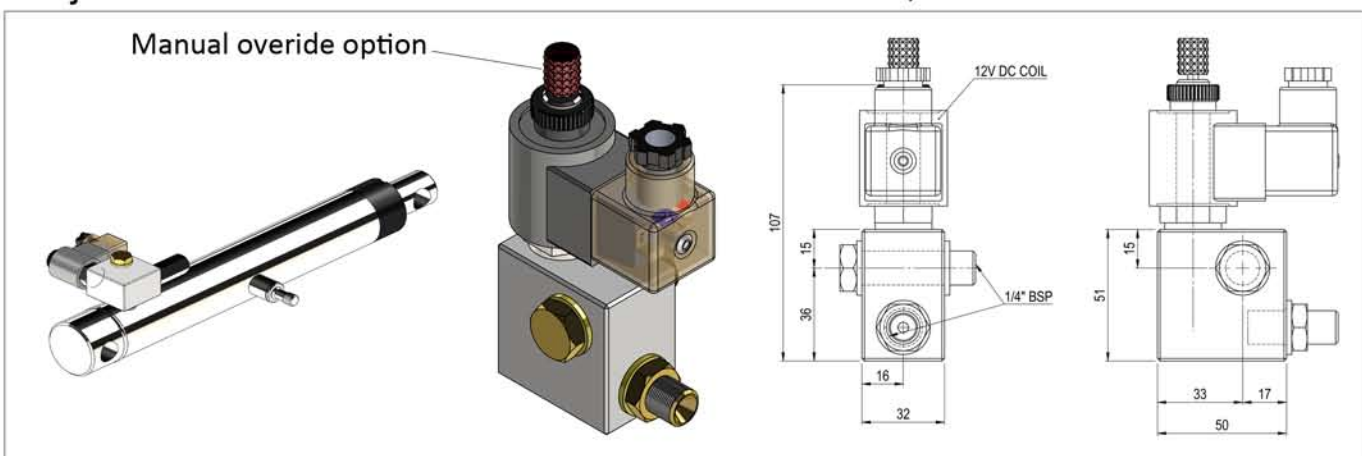
## Solenoid Operated Check Valve Banjo Mounted



Part No	Voltage (V)	Ports (BSP)	Flow (lpm)
ES38	12	3/8	50
ES38-24	24	3/8	50
ES14-12	12	1/4	40
ES14-24	24	1/4	40
*ES14-12-PCB5	12	1/4	40

\* Comes with integral pressure compensated flow control cartridge 5LPM

## Solenoid Check Valve c/w Manual override Banjo Mounted



Part No	
R934001669	Valve
R901083065	Coil 24V DC
R901090821	Coil 12V DC
Socket DC24	Hirschmann connector
Socket DC12	Hirschmann connector

Normally closed solenoid check valves are an ideal safety valve for hydraulic cylinder applications. The valve can be mounted to either port depending on the load holding requirements and allows oil to enter the cylinder, but then locks the cylinder in position until the solenoid is energized.

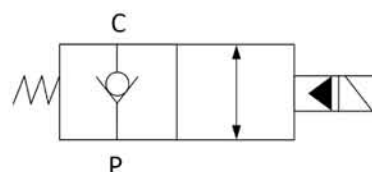
Max working pressure: 200 bar

Material: Anodised aluminium

Electrical connections

Hirschmann DIN plug or flying lead

Hydraulic schematic:



Max working pressure: 210 bar

Max flow: 40 lpm

Aluminium body anodised

Electrical connections

Hirschmann DIN plug

Hydraulic schematic:

