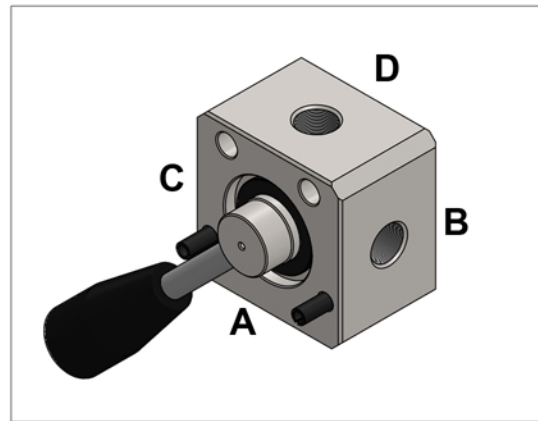
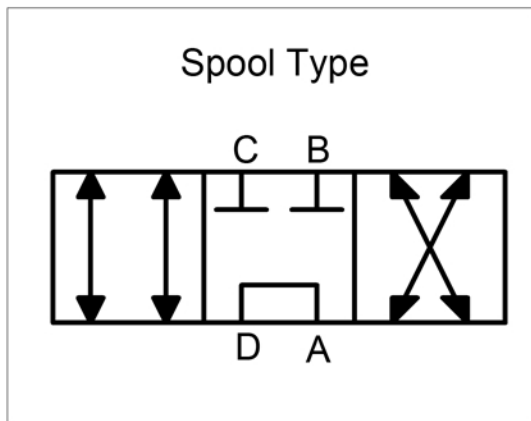
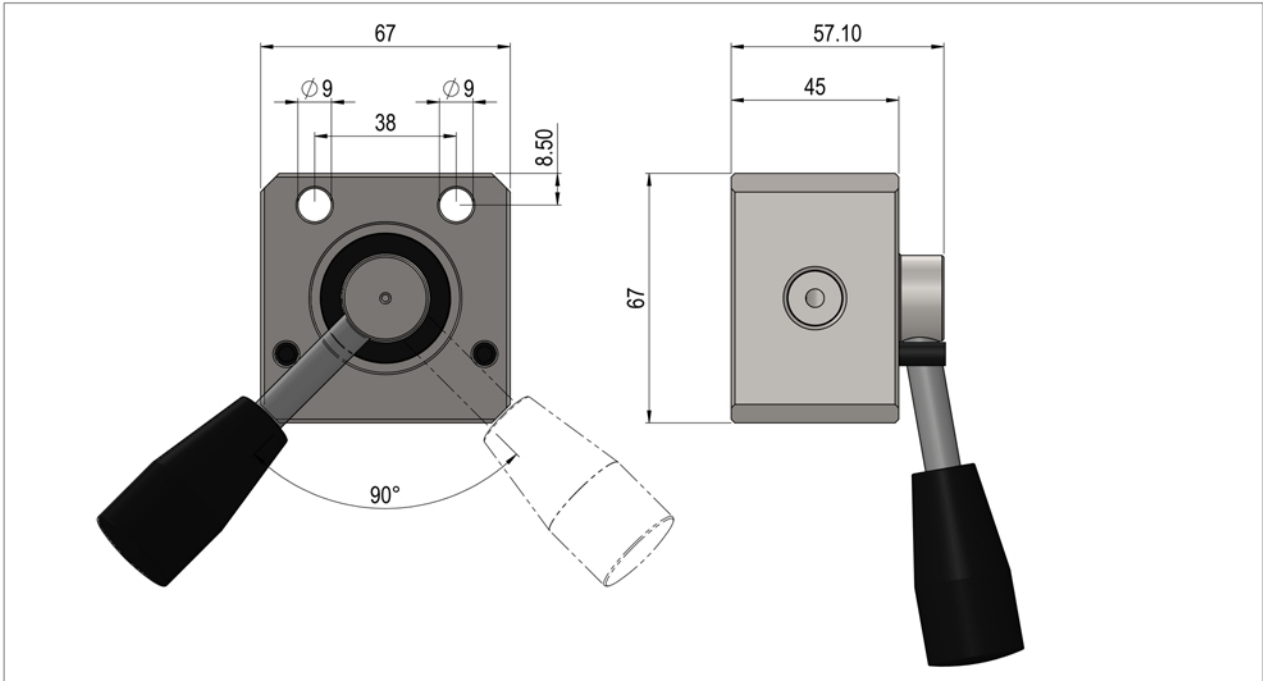




4 Ported Flow Diverter Valve

RAC-3/4/1/G3



Ports ABCD: 3/8 BSP

Nominal Flow Rate: 40LPM

Max Working Pressure: 210 bar

Operating Temp: -20°C - +80°C

Weight: 1.3Kg