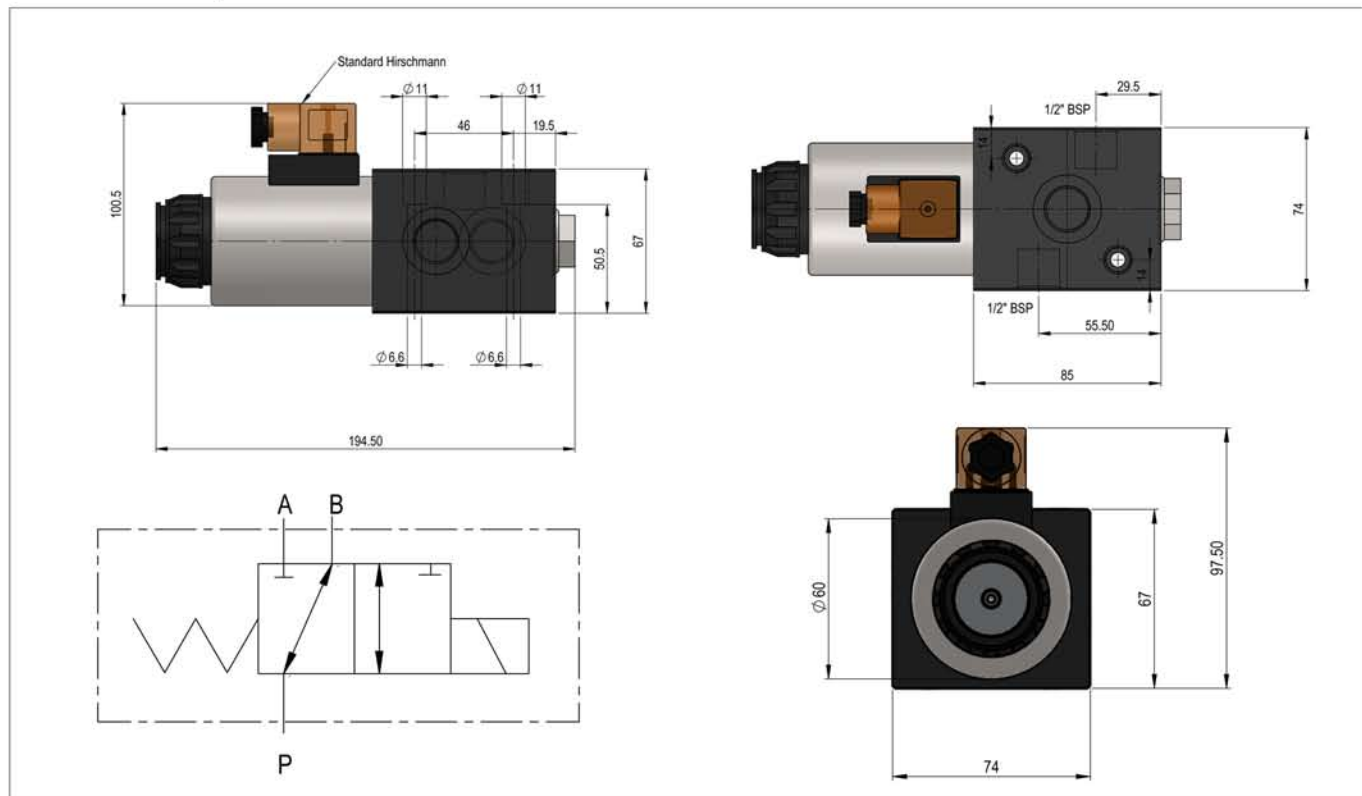


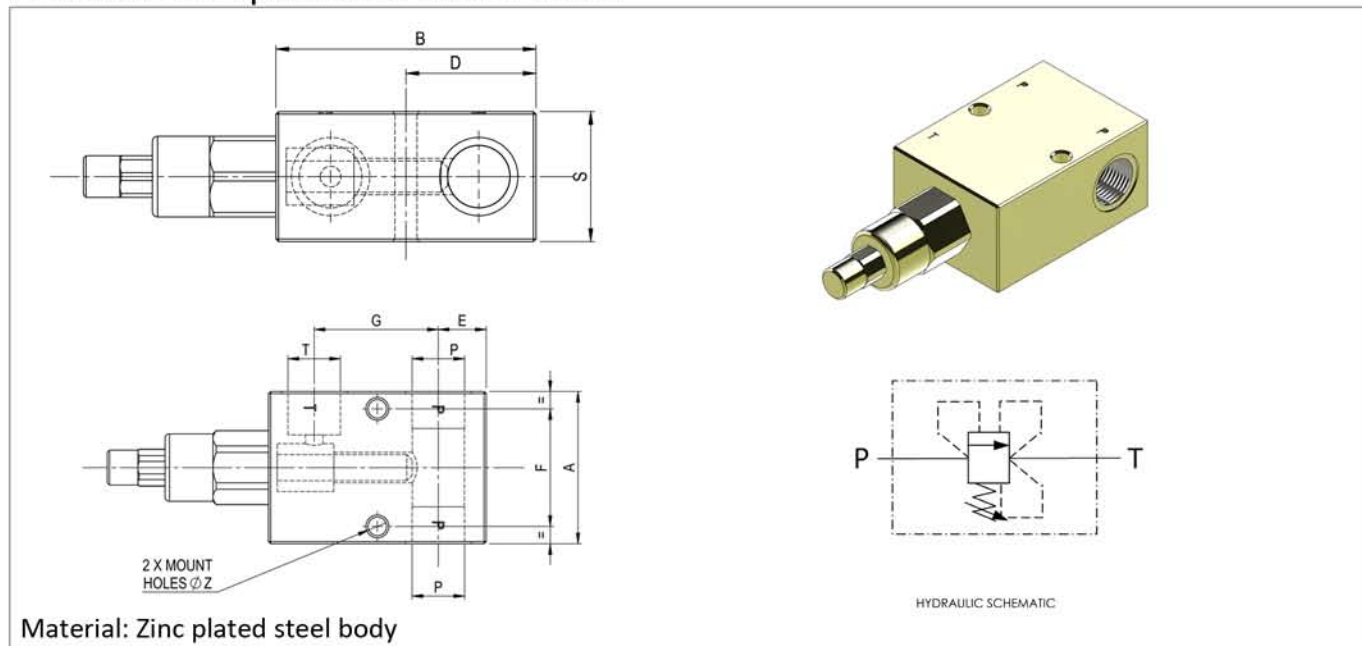
SAFETY VALVES & ACCESSORIES

In Line Dump Valve



Part No	Max Flow	Operating Pressure	Oil Port	Voltage	Weight (Kg)
HVC-3/2-10	80 Lpm	210bar	1/2 bsp	12v or 24v	4.25

Pressure Compensated Relief Valve



Material: Zinc plated steel body

Part No	Max Pressure	Flow Rate	P T	A	B	S	D	E	F	G	Z
VMP/B/L 5-38	350 bar	35	G 3/8	60	70	35	35	18	48	34	6.5
VMP/B/L 5-12	350 bar	35	G 1/2	60	70	35	35	18	45	34	6.5
VMP/B/L 10-12	350 bar	60	G 1/2	70	78	35	39	20	58	40	6.5
VMP/B/L 10-34	350 bar	60	G 3/4	70	90	40	45	20	54	50	8.5
VMP/B/L 20-34	350 bar	100	G 3/4	70	100	50	50	22	54	57	8.5
VMP/B/L 20-100	350 bar	100	G 1"	85	120	60	63	30	65	65	8.5