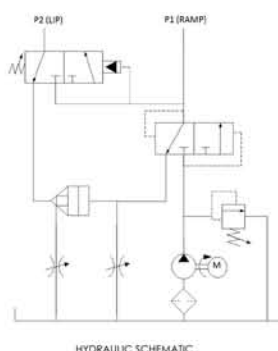
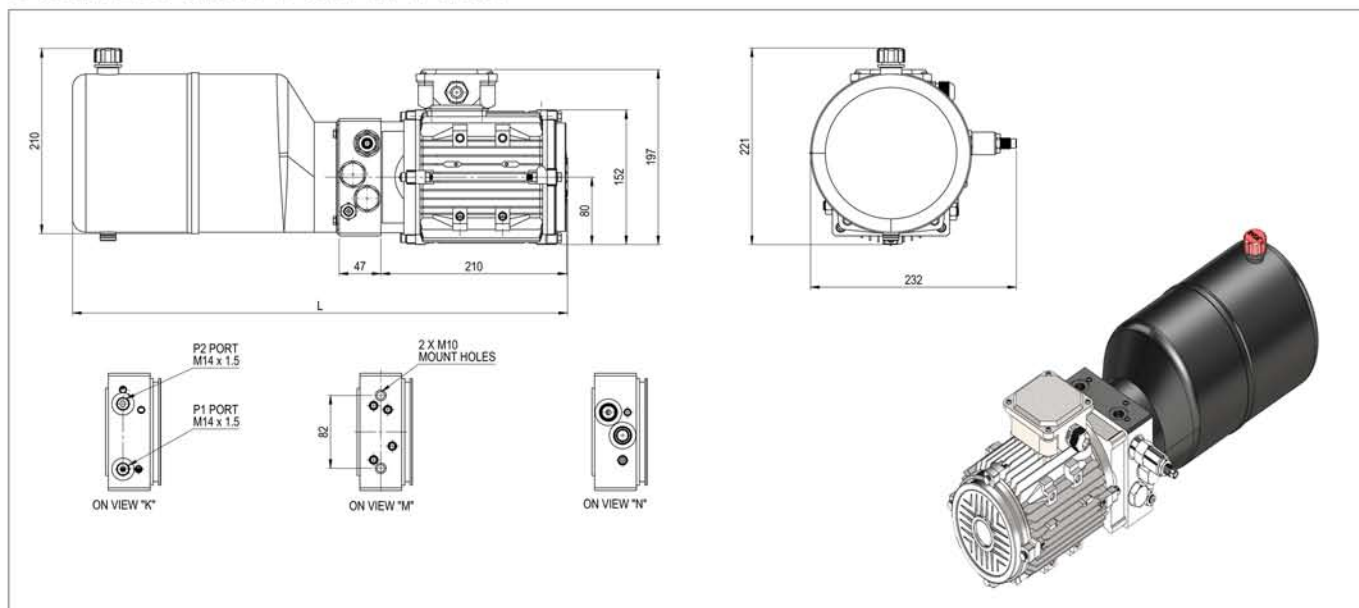


POWER PACKS

Dock Leveller Power Pack



Part No	Motor	Power	Speed	Displacement	Pressure	Tank
YBZ5-E2.1B4E80/LBA0T1	3PH	0.75 Kw	1450 rpm	2.1	160 bar	6L
YBZ5-E2.7B4E80/LBA0T1	3PH	0.75Kw	1450 rpm	2.7	140 bar	6L
YBZ5-E2.7B4E80/2LBA0T1	3PH	0.75Kw	1450 rpm	2.7	140 bar	5L

Specifically designed for Dock Leveler applications this power pack has a multi functional centre manifold containing all the control and circuit valves to allow the dock leveler main lift and lip cylinders to be positioned with the push of a button.

Please Note! All power packs should be wired by a qualified electrician. Please refer to wiring diagrams at the back of the power packs section.