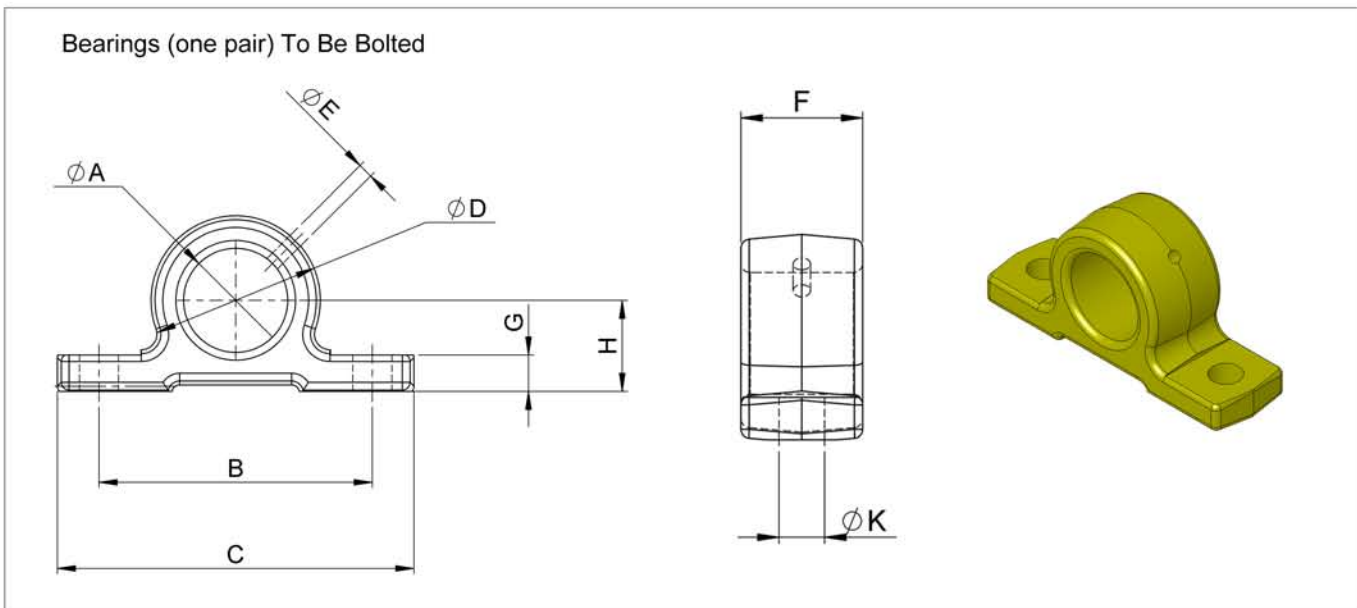


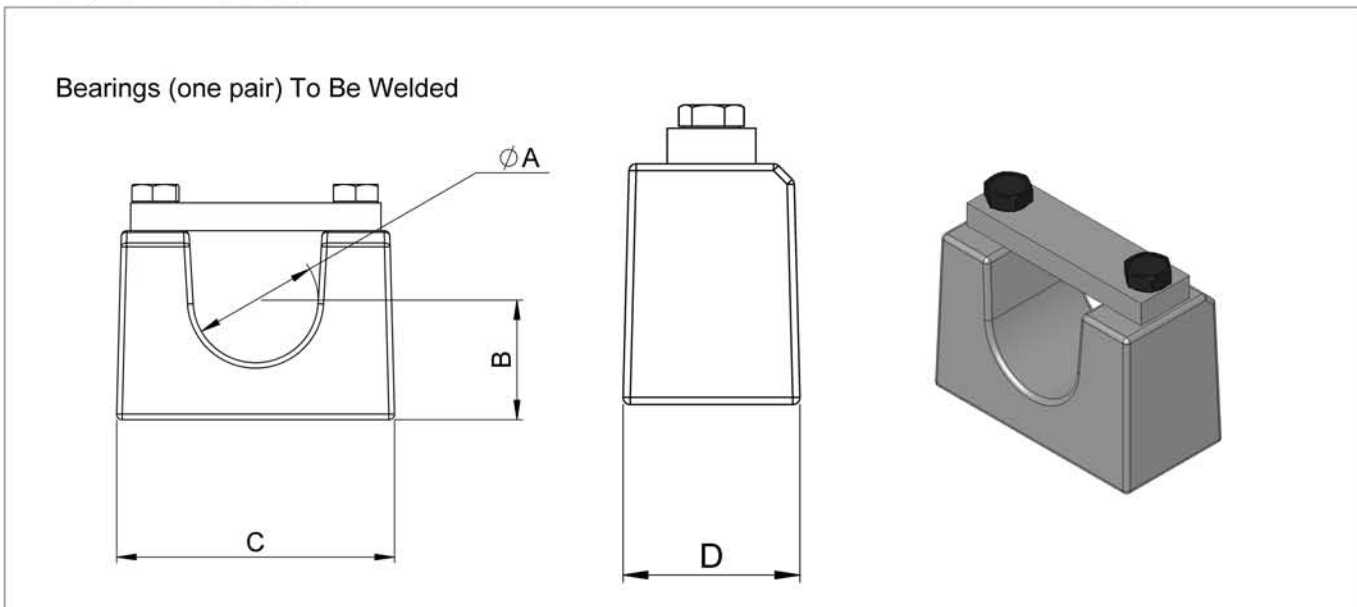
TELESCOPIC CYLINDERS BRACKETS AND CRADLE

Bolt On Bracket



Part No	A	B	C	D	E	F	G	H	K	Weight (Kg)
126.P	40	105	137	65	5.7	40	14	35	15	1.8
127.P	45	105	137	65	5.7	40	14	35	15	1.7
128.P	50	105	137	72	5.7	40	14	41	15	2
131.P	65	165	220	110	7.5	50	30	65	21	8.7

Weld On Bracket



Part No	A	B	C	D	Weight (Kg)
125.S	25	25	55	27	0.7
145.S	45	43	97	47	3.5
150.S	50	41	97	52	3.5