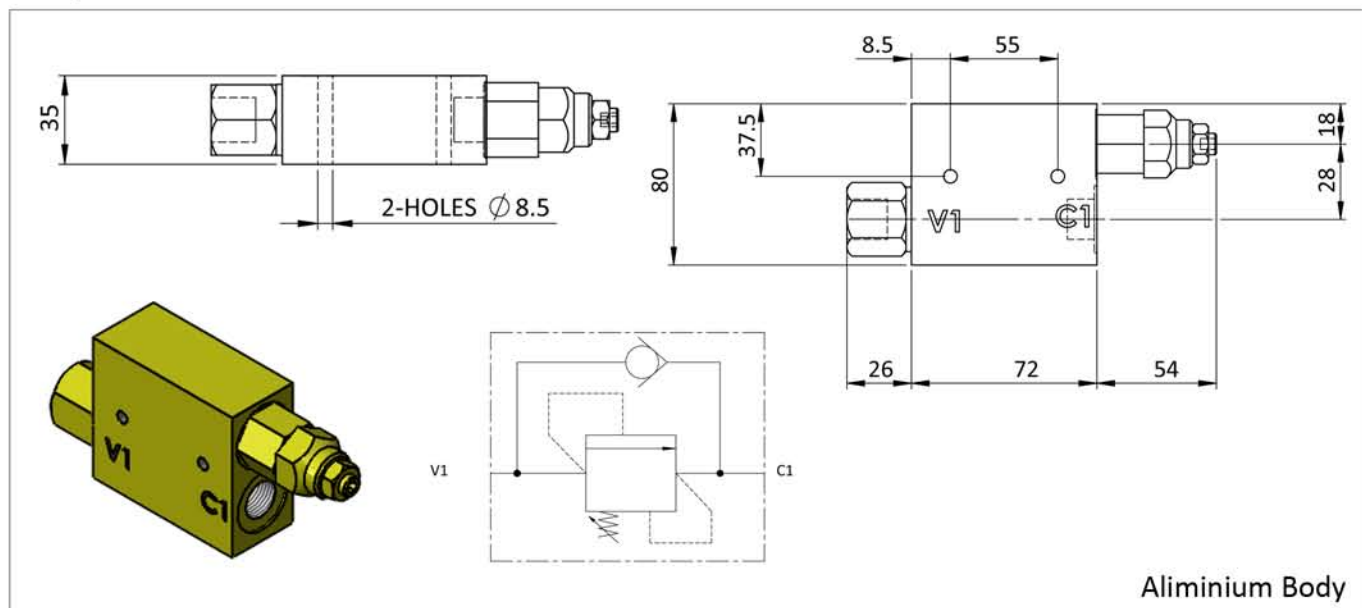


# SAFETY VALVES & ACCESSORIES

## Sequence Valve

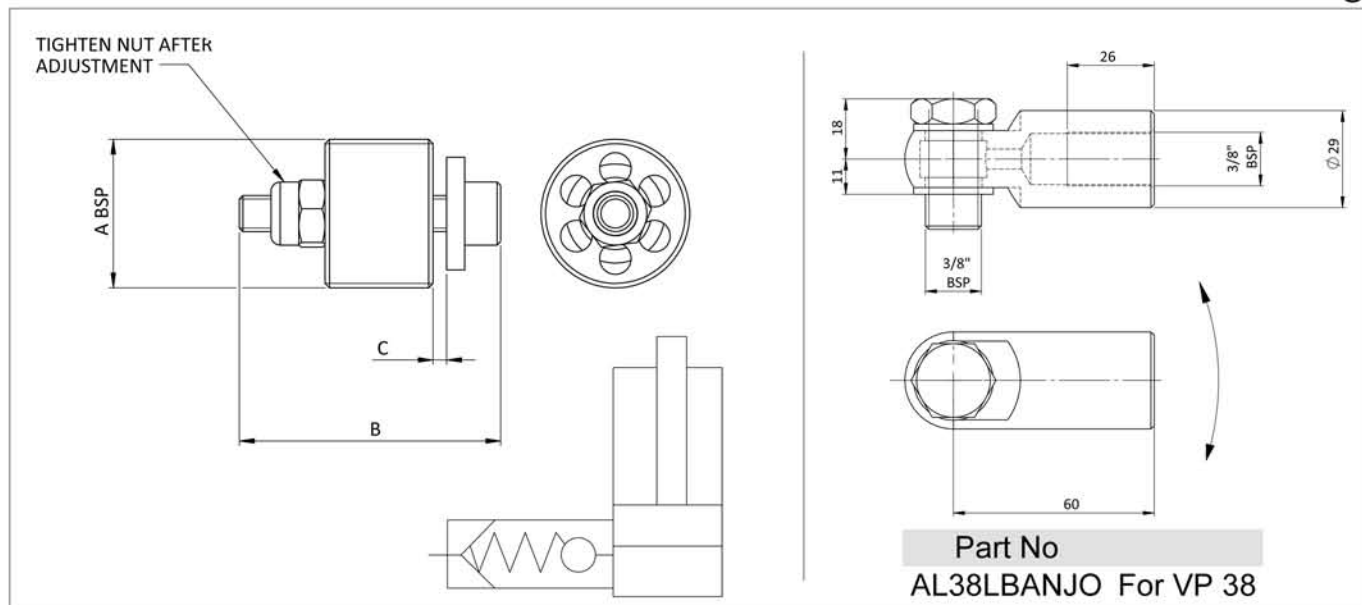


Part No	Operating Pressure	Max Flow	V1	C1	Weight
R930001421	200 bar	30 l/pm	G 3/8	G 3/8	1 Kg

The above sequence valve allows sequential control of a hydraulic system from the operation of one lever or one solenoid valve.

## Hose Burst Valve

## Hose Burst Valve Housing



Part No	A	B	Max Pressure
VP 12	1/2	25	350 bar
VP 14	1/4	17	350 bar
VP 34	3/4	31	350 bar
VP 38	3/8	20.5	350 bar