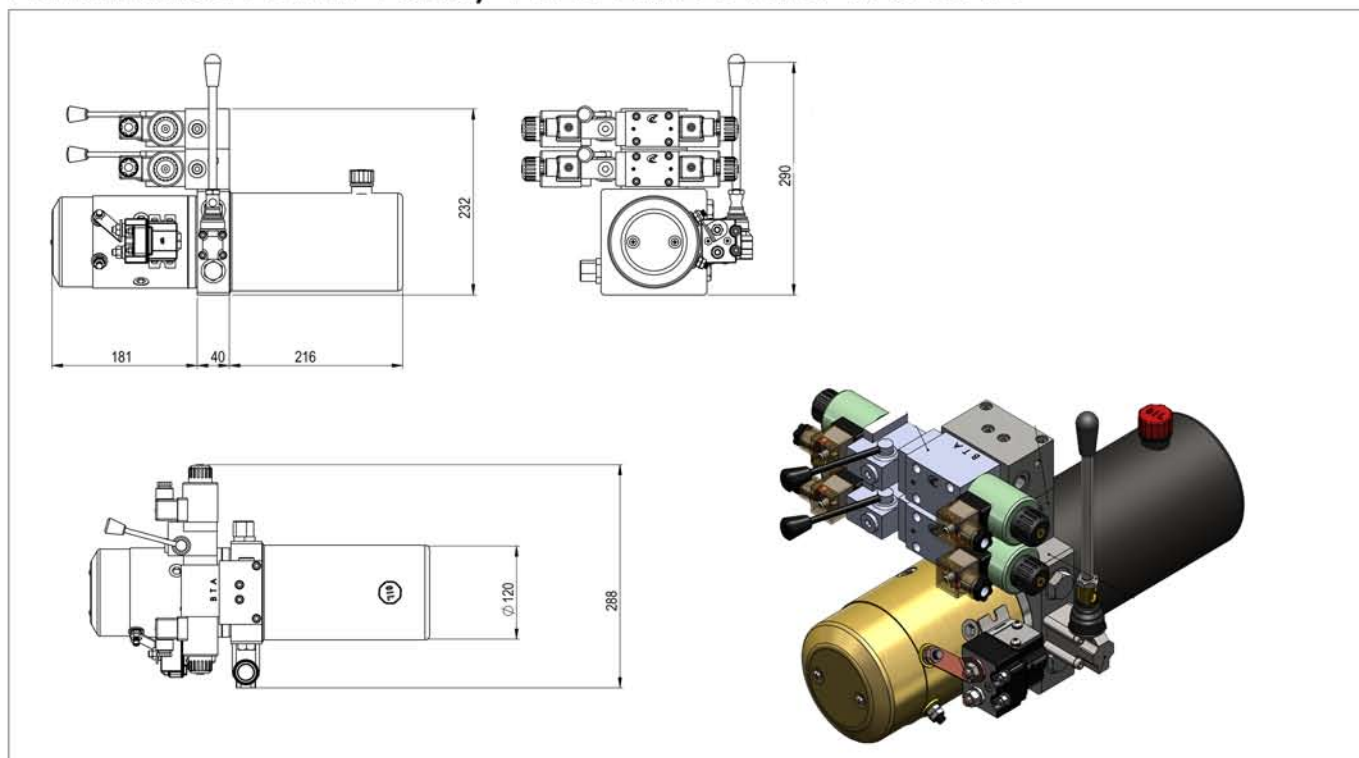


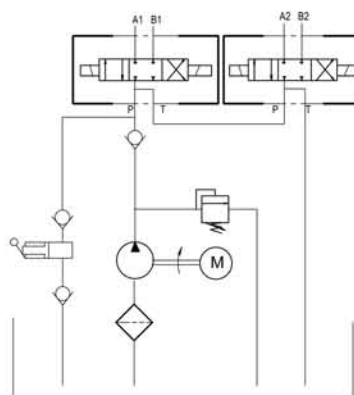
POWER PACKS

Ambulance Power Pack / YBZ5-2.7Z2A176-WUAOT1



Note* Valves must be ordered separately

Motor: 12vDC 1.5Kw
 Pump: 2.7cc
 Tank: 2L
 Hand Pump: 2cc/stroke



This power pack controls two independent functions on the hydraulic system but also has the manual override on both directional valves and integral hand pump in case of power failure.

The unit is shown in 12vDC but can also be supplied in 24vDC if required.

Please Note! All power packs should be wired by a qualified electrician. Please refer to wiring diagrams at the back of the power packs section.