

# MONOBLOCK VALVES

## CONTROL OPTIONS

### Pneumatic Actuator



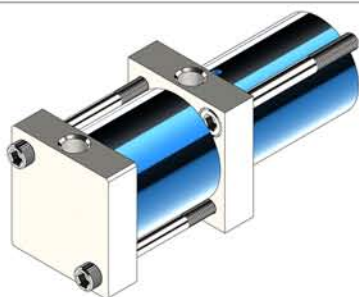
Part No: 8P

To suit the MB3 and MB4 valves. The pneumatic actuators allows the valve to be operated from different locations using our A331 type valve.

Part No: YLMB24080

For MB/2 valve

### Pneumatic Actuator



Part No: 8P-5

To suit the MB5 valve.

### Electro Pneumatic 3/2 Valve



Part No: A331-3C2

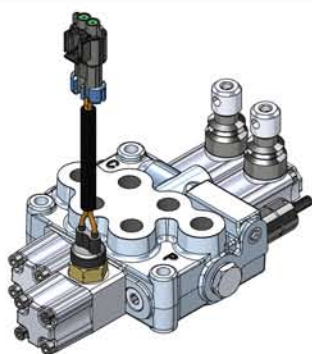
The electro / pneumatic option allows the valve to be remote controlled.

Electro pneumatic 3/2 valve prewired. IP67 rated.

Max pressure 10 bar.

Note!! Use E2000 pressure regulator if over 8 bar

### Micro Switch



Part No: YLMB44803 Housing

:21-467 Micro switch

:0-011-82 2 pin IP67 male plug to suit micro switch

