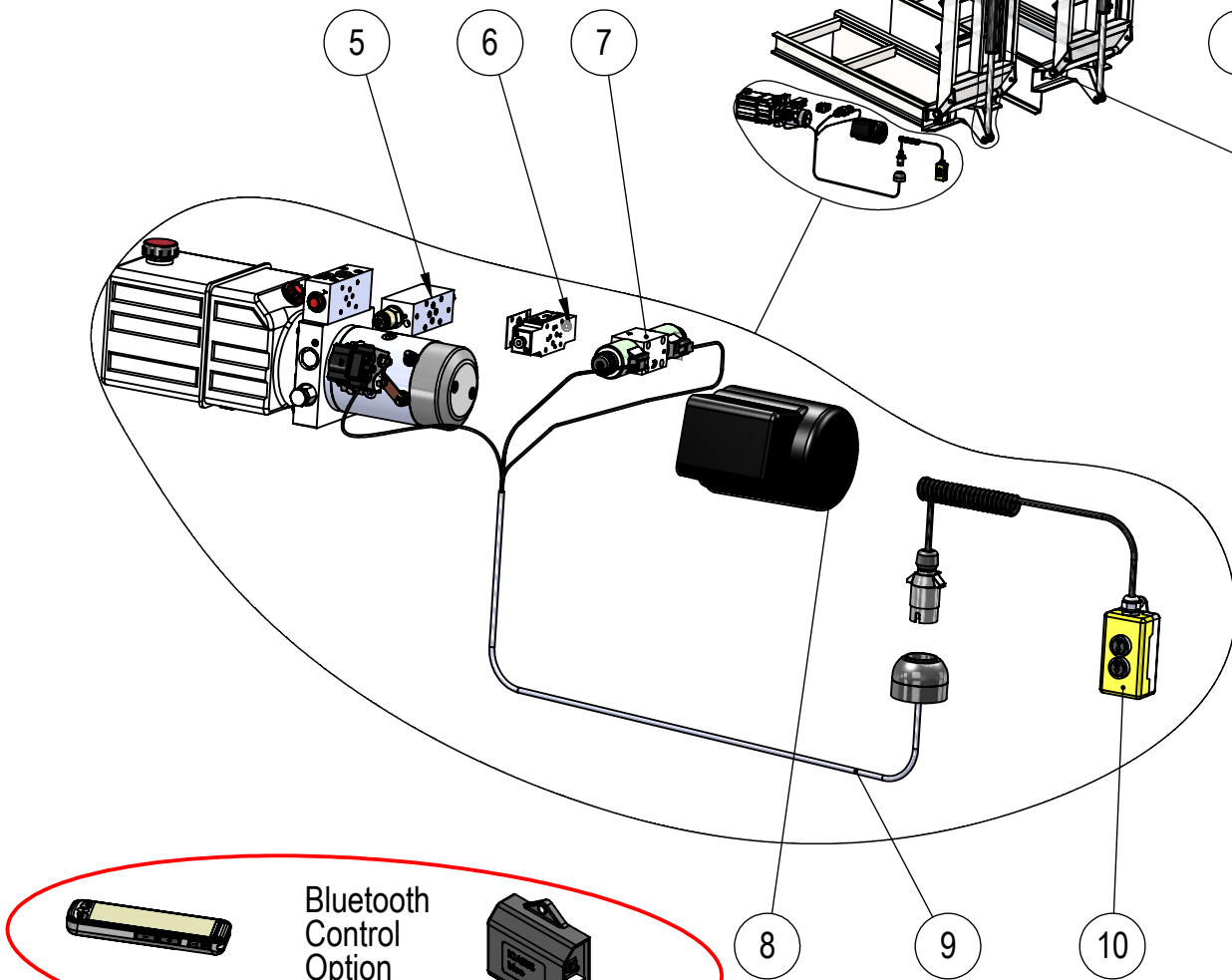
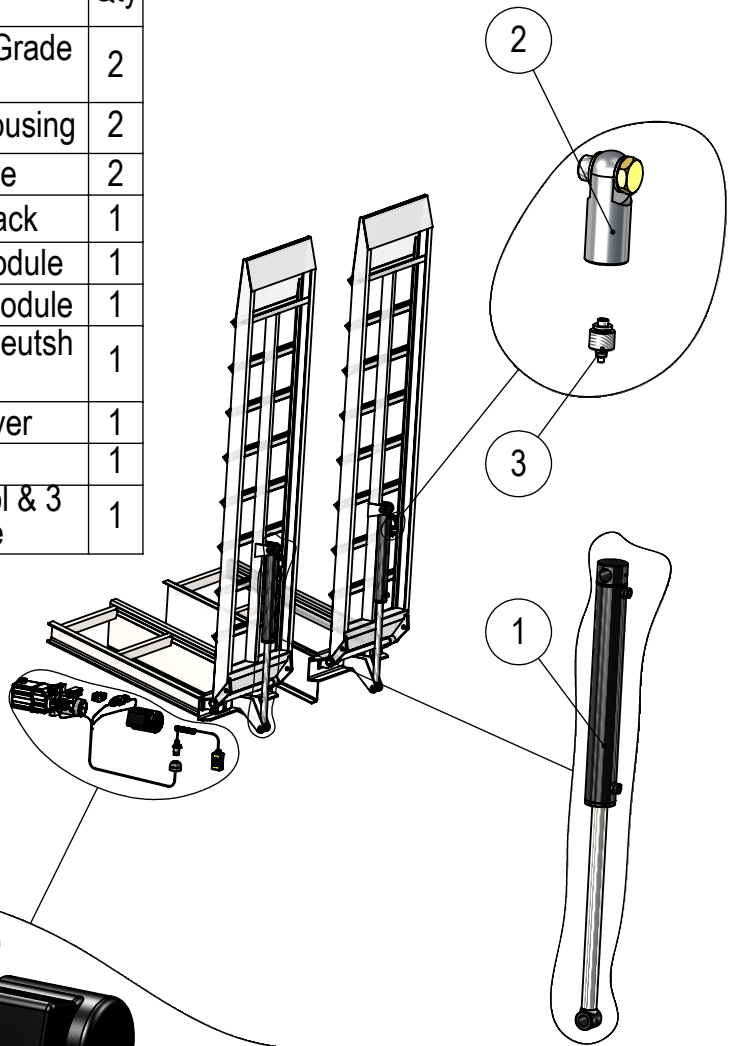


Item No	Part No	Description	Qty
1	704.500STS	70/40x 500 Stroke. Grade 431 st/st Rod	2
2	AL38LBANJO	Hose Burst Valve Housing	2
3	VP38	Hose Burst Valve	2
4	PP/DMB/2/F2.7/T5LP	24 V DC Power Pack	1
5	CXP9151	Dual Overcentre Module	1
6	Z2FDS6 S	Dual Flow Control Module	1
7	4DWG6G60/DR24Z5L	Cetop 3 Valve c/w Deutsch Connectors	1
8	YBZ-DJZK-1 KIT	Plastic Motor Cover	1
9	WCCH019	Wiring Loom	1
10	WCCH001+WCCH002	Push Button Control & 3 Metre Lg Cable	1



Bluetooth Control Option Available

		DIMENSIONS ARE IN MM TOLERANCES: FRACTIONAL ± ANGULAR: MACH ± BEND ± TWO PLACE DECIMAL ± THREE PLACE DECIMAL ±	
		MATERIAL	
		FINISH	
NEXT ASSY	USED ON		
APPLICATION		DO NOT SCALE DRAWING	

NAME	DATE
DRAWN DR	22/03/17
CHECKED	
ENG APPR.	
MFG APPR.	
Q.A.	
COMMENTS:	



### Beavertail Kit Cetop 3 Valve Option

SIZE	DWG. NO.	REV.
A		
SCALE: 1:50	WEIGHT:	SHEET 1 OF 1

**PROPRIETARY AND CONFIDENTIAL**  
THE INFORMATION CONTAINED IN THIS DRAWING IS THE SOLE PROPERTY OF C & C HYDRAULICS LIMITED. ANY REPRODUCTION IN PART OR AS A WHOLE WITHOUT THE WRITTEN PERMISSION OF C & C HYDRAULICS LIMITED IS PROHIBITED.