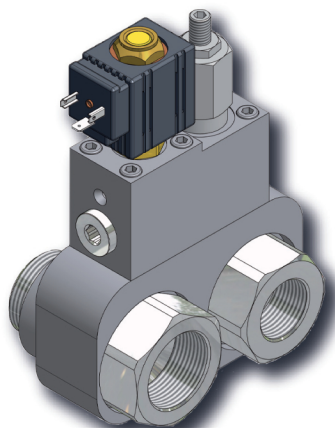


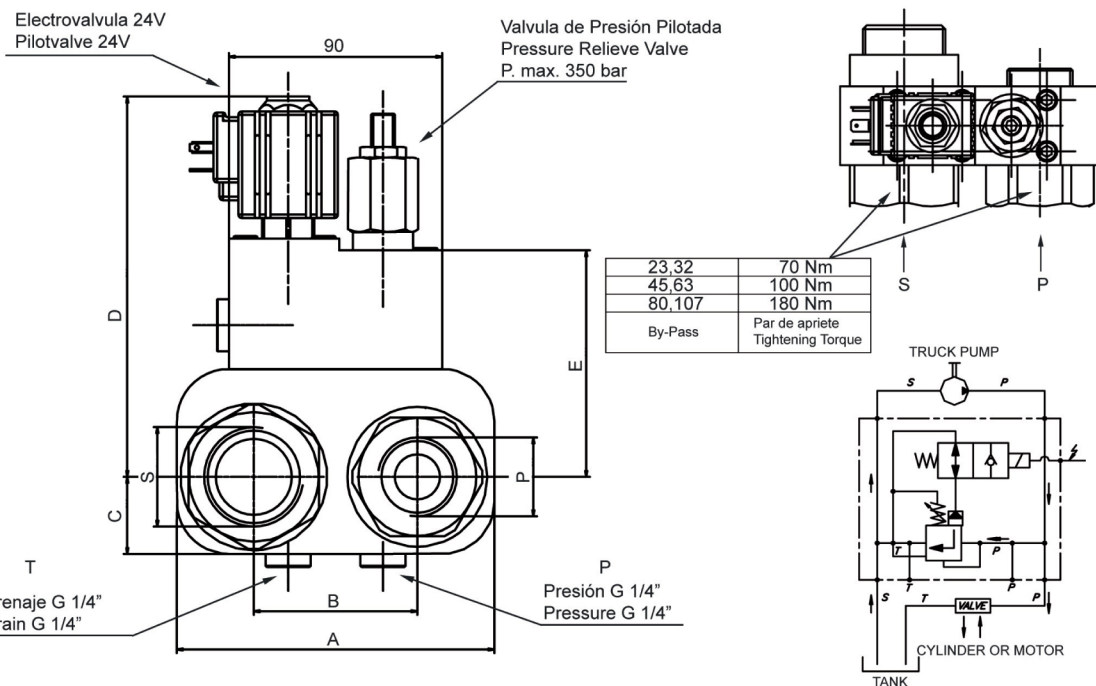
BYPASS KFA 23/32/45/63/80/107



Descripción Description

Valvula Bypass con limitadora de presión que puede ser usada en aplicaciones donde la bomba funciona constantemente.

Bypass valve with pressure regulator valve, can be utilized in applications where the pump is operating constantly.



Datos Principales Main Data

BYPASS	CODIGO CODE	A	B	C	D	E	S	P	PESO (Kg) WEIGHT
KFA 23/32	9061190	102	52	25	147	82	3/4" BSP	1/2" BSP	
KFA 45	9060490	115	59	29	153	88	1" BSP	3/4" BSP	
KFA 63	9060590	115	64	29	153	88	1" BSP	3/4" BSP	4,170
KFA 80	9060690	125,5	69	32,5	160	95.5	1 1/4" BSP	1" BSP	4,490
KFA 107	9061290	142	77	32,5	160	95.5	1 1/4" BSP	1" BSP	