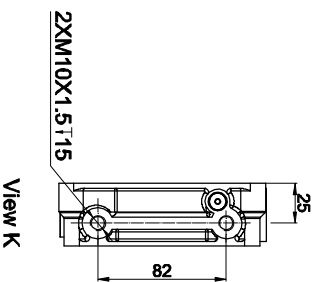
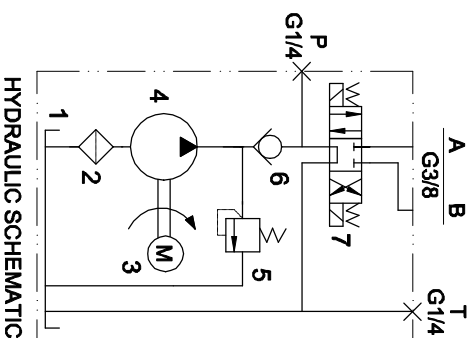


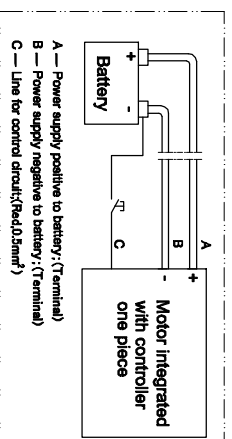
View M



View K



HYDRAULIC SCHEMATIC



ELECTRICAL SCHEMATIC

8	Central Manifold	YLBZ-N2FK-1	Aluminium
7	Soloidnd Valve	4DWG6G680/DC24Z5L	
6	Check valve	DF08-01-00	
5	Relief valve	YF08-40	170Bar,the red tamper proof glue
4	Gear pump	CBKQ-F2.1F	2.1cc/r
3	Brushless Motor	YBZ-4-100	24VDC, 2.2KW,CE
2	Suction Filter	KR-120-2L-W-A	100Mesh
1	Tank		2L
No.	Description	P/N	Technical data

Designed by

Checked by

Reviewed by

Approved by

Name: Hydraulic Power Unit

P/N: YBZ6Q-F2.1Y2M4/TVABN1

Rev.: O

BUCHER Bucher Hydraulics (Wuxi) Co., Ltd.
hydraulics www.bucherrydraulics.com