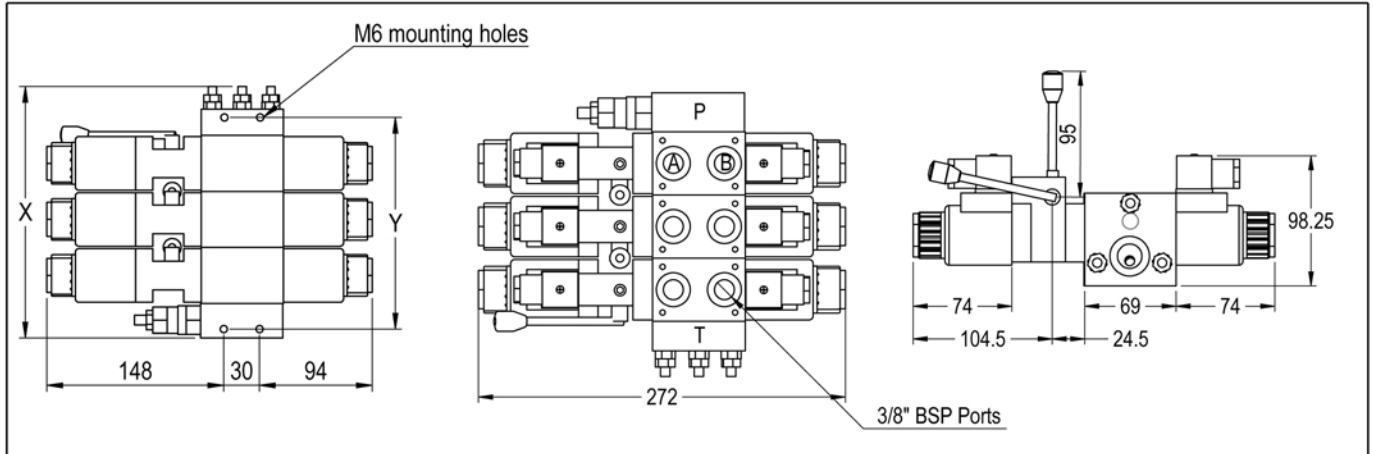




Directional Valve

MWE6-EL

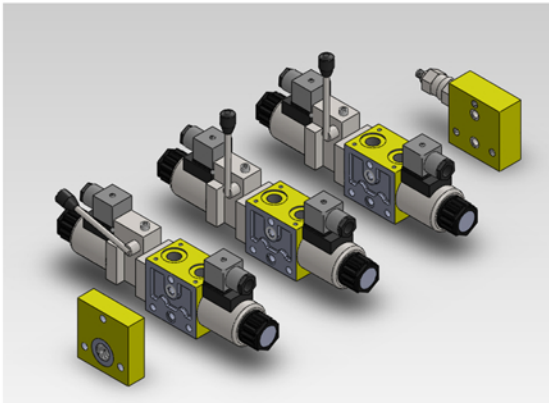


Product Description

Sectional hydraulic valve allowing both solenoid and lever control of each spool. From 1 to 9 spools and with various spool types and additional controls.

Technical specifications

Max flow: 45LPM
 Max pressure: 310Bar
 P&T ports: 3/8BSP
 A&B ports: 3/8BSP
 Assembly torque: 18-20Nm



No Spools	X	Y	Weight Kg
1	116	81	3
2	163	128	6
3	210	175	9
4	257	222	12
5	304	269	15
6	351	316	18
7	398	363	21
8	445	410	24
9	492	457	27

Part Numbers	Description	Sections	Option	Voltage
PMWE6	Inlet c/w relief valve	1 per valve	N/A	N/A
TMWE6	Outlet section	1 per valve	N/A	N/A
TMWE6-	Tie bolt kit	1to 9	N/A	N/A
MWE6-EL-J	Valve section	1 to 9	D/A AB-T	24V or 12V
MWE6-EL-E	Valve section	1to 9	D/A AB closed	24V or 12V