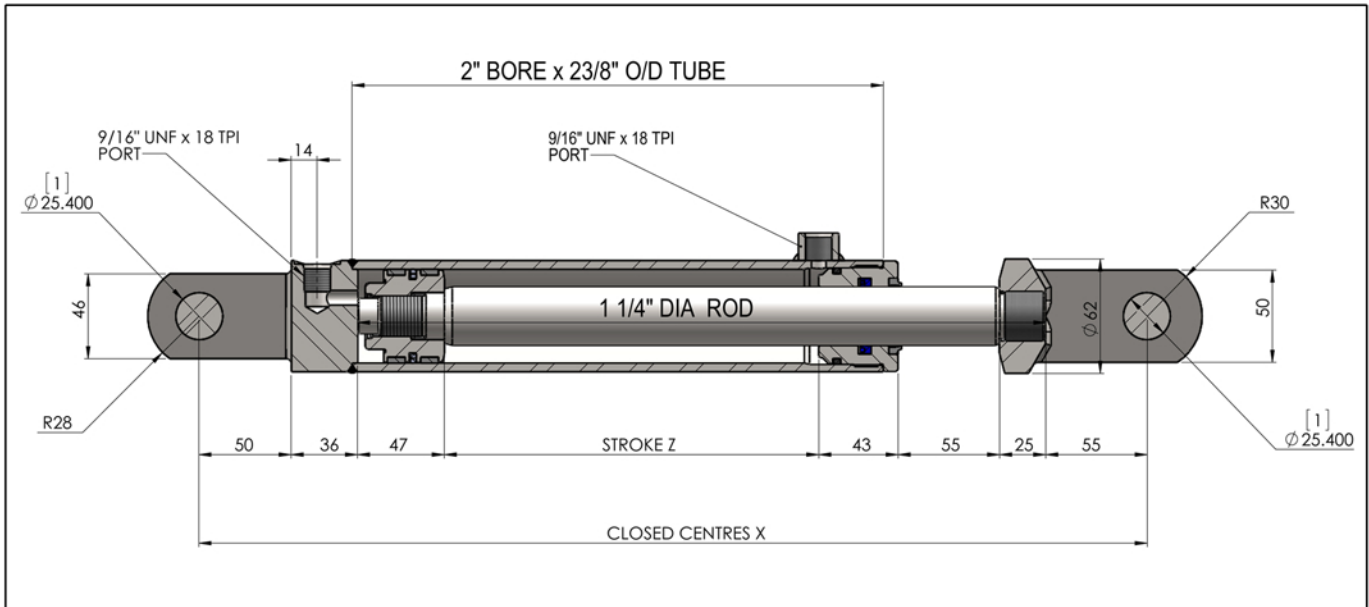




Standard Imperial Cylinder

AR20125 Series 2" Bore 1.25" Rod



Technical Data

Max Working Pressure: 200 bar
 Test Pressure: 300 bar
 Maximum Speed: 0.5 m/s
 Temperature: -30C to 90C
 Hydraulic Mineral Oil

Identification

On The Tube: Reference + CH +
 Week/Year Of Manufacture

Testing

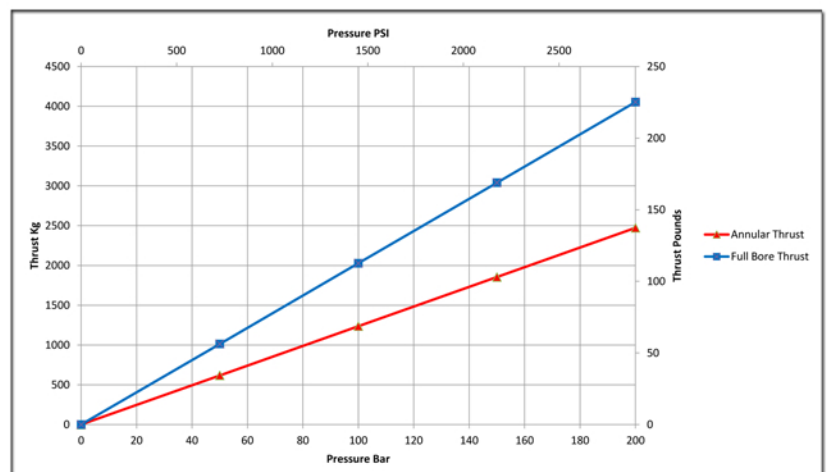
100% Tested By Pneumatic
 Pressure Drop Detection System

Protection

Black Prime Finish

For Further Options Please Refer To
 Technical Data Sheet.

Part Number	Z		X		Weight Kg
	(in)	(mm)	(in)	(mm)	
AR20125008H	8	203	20.2	514	7.5
AR20125010H	10	254	22.2	565	8.1
AR20125012H	12	305	24.2	616	8.7
AR20125018H	18	457	30.2	768	10.7
AR20125020H	20	508	32.2	819	11.3
AR20125024H	24	610	36.2	921	12.6
AR20125030H	30	762	42.2	1073	14.5
AR20125036H	36	914	48.2	1225	16.5
AR20125048H	48	1219	60.2	1530	20.4



**Manufactured in the
UK**