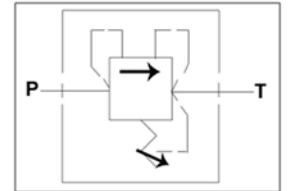
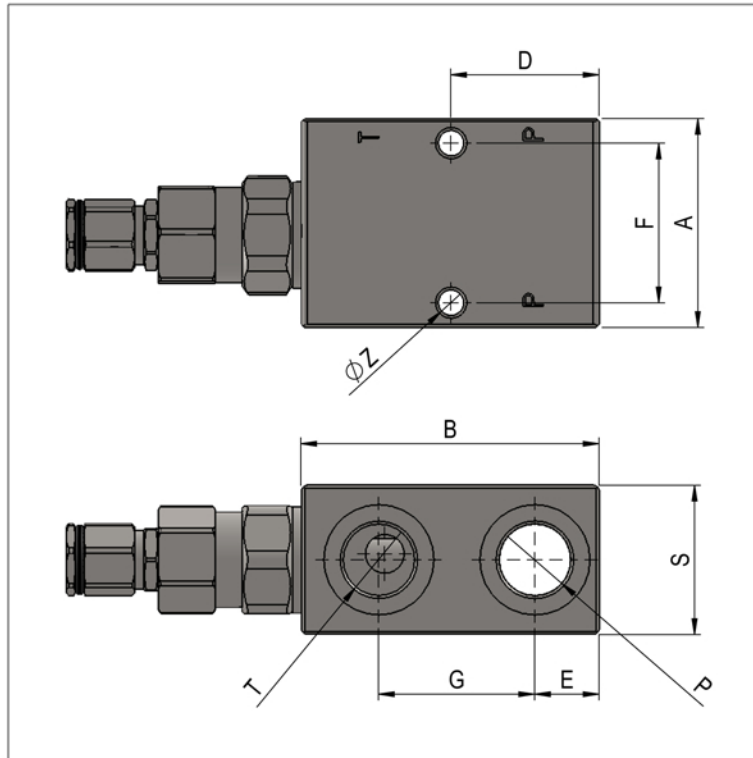




# Pressure Relief Valve Pressure Compensated

# VMP Range



Part No	Max Pressure	Flow Rate
VMP/B/L 5-38	35 bar Steel	35
VMP/B/L 5-12	35 bar Steel	35
VMP/B/L 10-12	35 bar Steel	60
VMP/B/L 10-34	35 bar Steel	60
VMP/B/L 20-34	35 bar Steel	100

Part No	P T	A	B	S	D	E	F	G	Z
VMP/B/L 5-38	G3/8"	60	70	35	35	18	48	34	6.5
VMP/B/L 5-12	G1/2"	60	70	35	35	18	48	34	6.5
VMP/B/L 10-12	G1/2"	70	78	35	39	20	58	40	6.5
VMP/B/L 10-34	G3/4"	70	90	40	45	20	54	50	8.5
VMP/B/L 20-34	G3/4"	70	100	50	50	22	54	57	8.5