

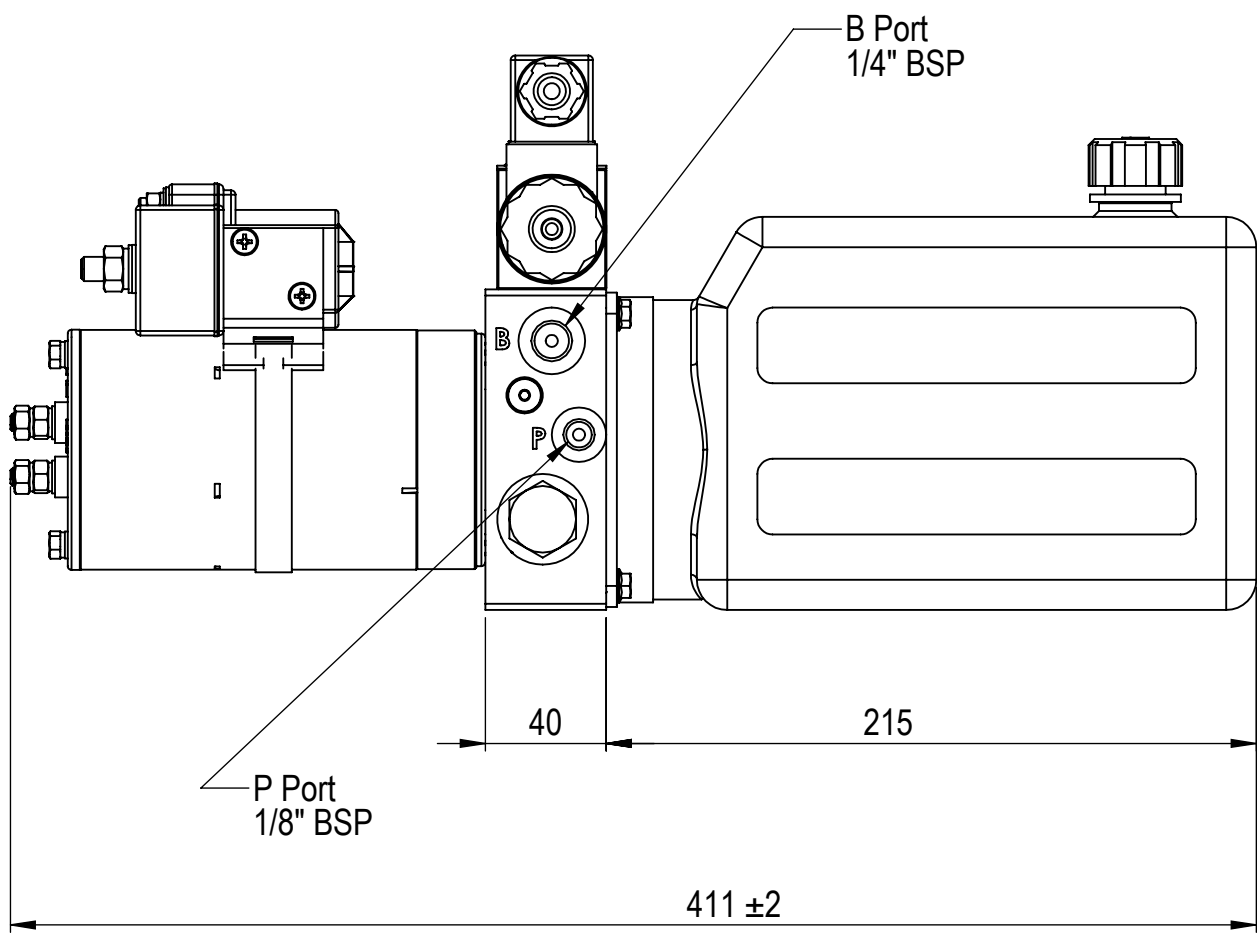
8 7 6 5 4 3 2 1

D

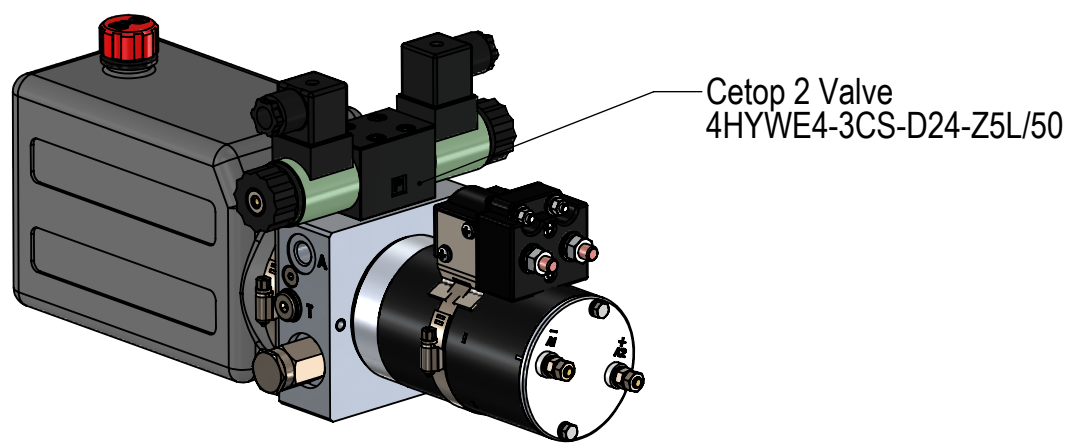
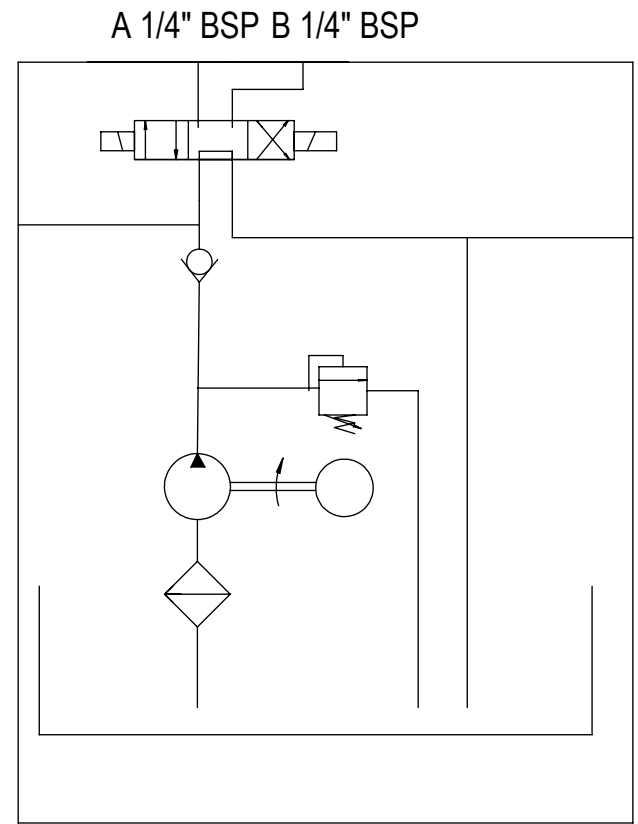
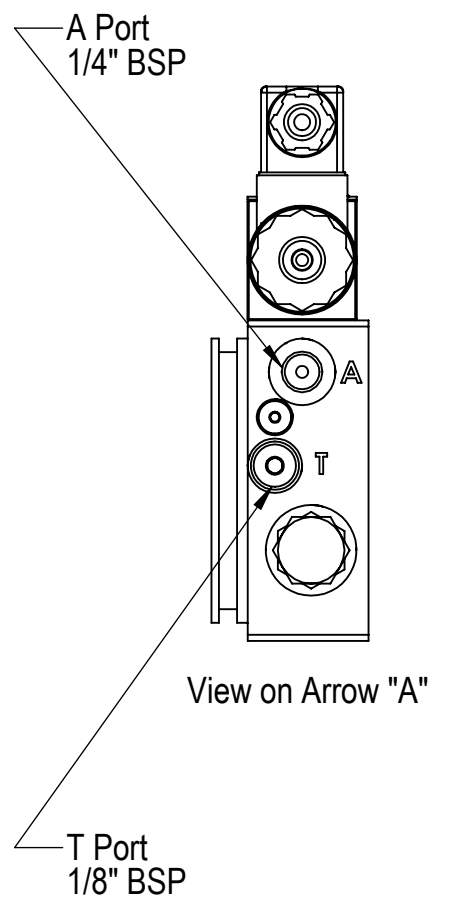
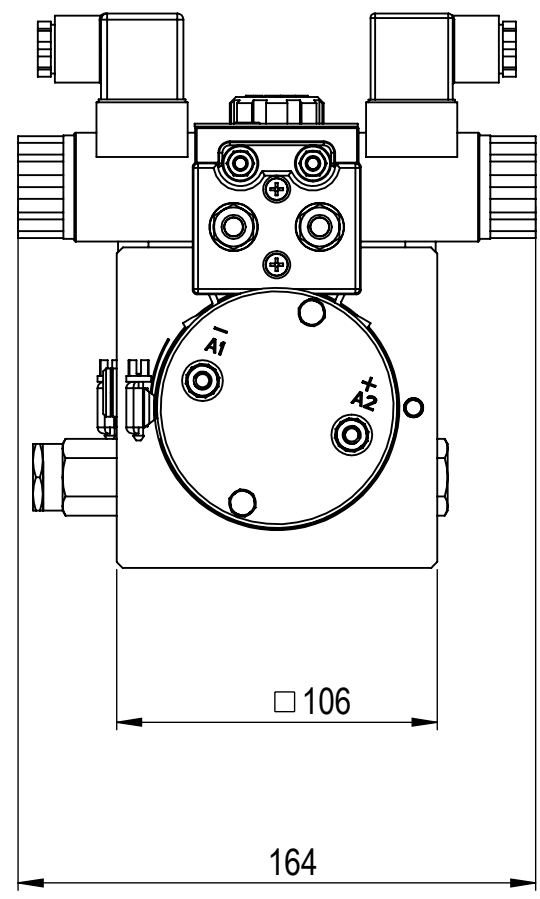
C

B

A



"A" →



REMOVE ALL BURRS AND SHARPP EDGES

THE INFORMATION CONTAINED IN THIS DRAWING IS THE SOLE PROPERTY OF C & C HYDRAULICS LIMITED. ANY REPRODUCTION IN PART OR AS A WHOLE WITHOUT THE WRITTEN PERMISSION OF C & C HYDRAULICS LIMITED IS PROHIBITED. PROPRIETARY AND CONFIDENTIAL

PUMP CC	0.8cc/r
VOLTAGE	24V DC
KW	0.8kw
TANK CAPACITY	2.0 Litres
MAXIMUM PRESSURE	160 Bar
AMP DRAW AT MAX PRESSURE	55 Amps @ 160 Bar

UNLESS OTHERWISE SPECIFIED:
 DIMENSIONS ARE IN MM
 TOLERANCES:
 FRACTIONAL ±0.25
 ANGULAR: MACH ± 0.5 ° BEND ± 1
 TWO PLACE DECIMAL ±0.1
 THREE PLACE DECIMAL ±0.01

INTERPRET GEOMETRIC TOLERANCING PER:
 MATERIAL
 FINISH

DO NOT SCALE DRAWING

NAME	DR
DATE	11/04/18
DRAWN	
CHECKED	
ENG APPR.	
MFG APPR.	
Q.A.	
COMMENTS:	

C & C HYDRAULICS LTD

TITLE: **YBZ5-E0.8Z2T4/UVUAT1**

SIZE	DWG. NO.	REV
B	YBZ5-E0.8Z2T4/UVUAT1	

SCALE: 1:5 WEIGHT: SHEET 1 OF 1

8 7 6 5 4 3 2 1